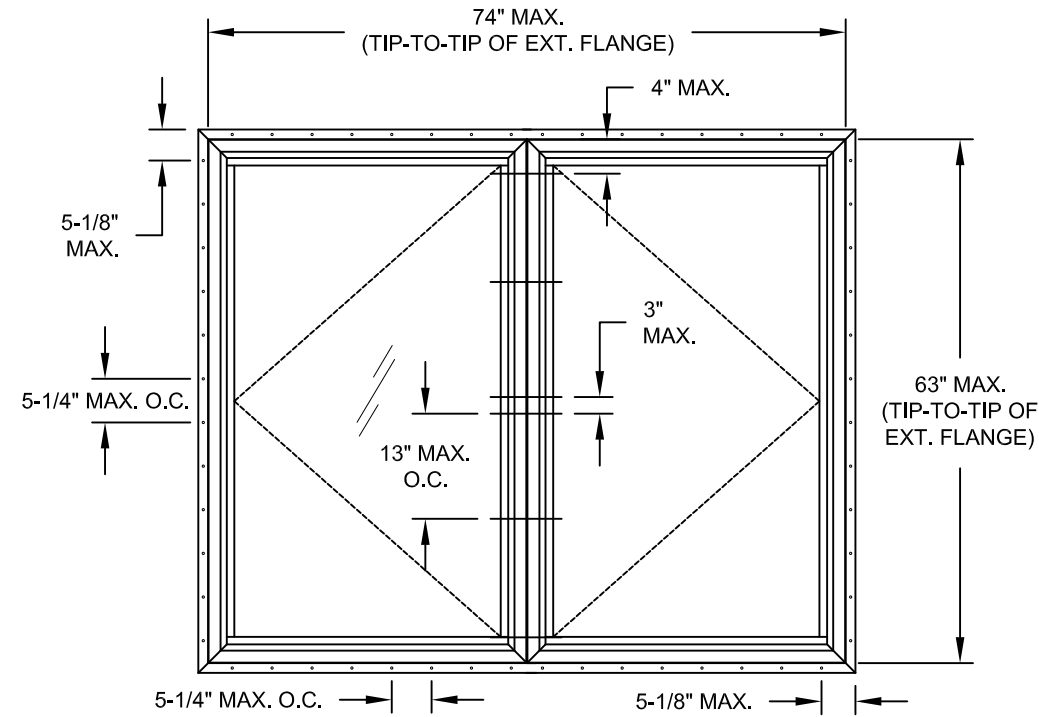


FLORIDA PRODUCT APPROVAL #330

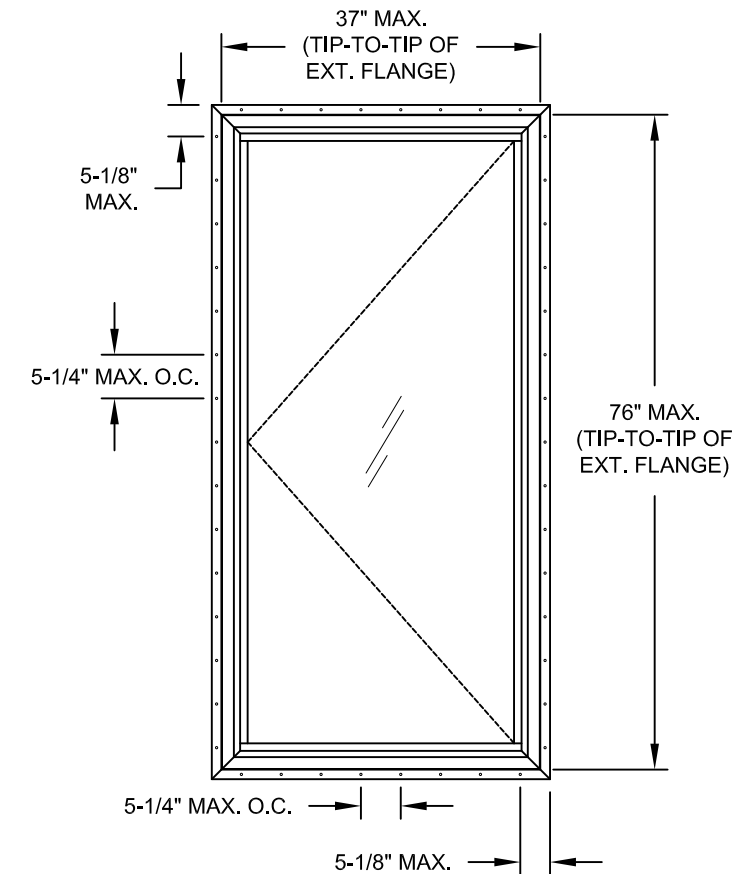
**SERIES 640 NON-IMPACT CASEMENT WINDOW  
WITH ADD-ON CONTINUOUS NAILING FIN**

- 1) THIS PRODUCT HAS BEEN DESIGNED & TESTED TO COMPLY WITH THE REQUIREMENTS OF THE FLORIDA BUILDING CODE, INCLUDING THE HIGH VELOCITY HURRICANE ZONE (HVHZ).
- 2) SHUTTERS ARE REQUIRED WHEN USED IN WIND-BORNE DEBRIS REGIONS.
- 3) ANCHOR EMBEDMENT TO BASE MATERIAL SHALL BE BEYOND WALL DRESSING OR STUCCO. USE ANCHORS OF SUFFICIENT LENGTH. INSTALLATION ANCHORS SHOULD BE SEALED. OVERALL SEALING/FLASHING STRATEGY FOR WATER RESISTANCE OF INSTALLATION SHALL BE DONE BY OTHERS AND IS BEYOND THE SCOPE OF THESE INSTRUCTIONS.
- 4) THE ANCHORAGE METHODS SHOWN HAVE BEEN DESIGNED TO RESIST THE WIND LOADS CORRESPONDING TO THE REQUIRED DESIGN PRESSURE. THE 33-1/3% STRESS INCREASE HAS NOT BEEN USED IN THE DESIGN OF THIS PRODUCT. THE 1.6 LOAD DURATION FACTOR WAS USED FOR THE EVALUATION OF ANCHORS INTO WOOD. ANCHORS THAT COME INTO CONTACT WITH OTHER DISSIMILAR MATERIALS SHALL MEET THE REQUIREMENTS OF THE FLORIDA BUILDING CODE FOR CORROSION RESISTANCE.



FIN FRAME, XX

DESIGN PRESSURE RATING	IMPACT RATING
SEE TABLE 2	NOT RATED FOR IMPACT RESISTANCE



FIN FRAME, X

ANCHOR LOCATIONS & SPACING

TABLE 1: ANCHORS FOR FIN WINDOWS

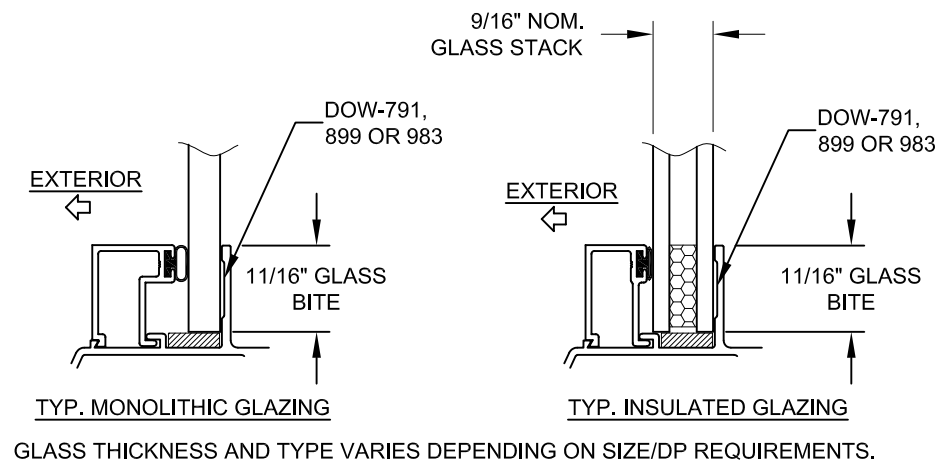
Anchor	Substrate	Min. Edge Distance	Min. Embedment
2-1/2" x .113" Box Nail	P.T. Southern Pine (SG = .55)	5/16"	2-7/16"
2-1/2" x .131" Common Nail	P.T. Southern Pine (SG = .55)	3/8"	2-7/16"
2-1/2" x .145" Roofing Nail	P.T. Southern Pine (SG = .55)	3/8"	2-7/16"
#10 Steel SMS	P.T. Southern Pine (SG = .55)	1/2"	1-3/8"
	Aluminum, 6063-T5 min.	3/8"	1/8"
	Steel Stud, Gr. 33 min.	3/8"	0.036"
	A36 Steel	3/8"	1/8"

- 1) ANCHOR MUST EXTEND A MINIMUM OF 3 THREADS BEYOND ANY METAL SUBSTRATE.
- 2) "UNGROUTED CMU" VALUES MAY BE USED FOR GROUTED CMU APPLICATIONS.
- 3) ALL ANCHOR HEAD TYPES ARE APPLICABLE.

TABLE 2: AS TESTED

Window Size		Config.	Design Pressure		Certification Numbers
Width	Height		(+) psf	(-) psf	
37"	76"	X	75	75	190-438
74"	63"	XX	60	60	190-489

NOT ALL GLASS OPTIONS ARE AVAILABLE AT THE MAXIMUM WINDOW SIZE.



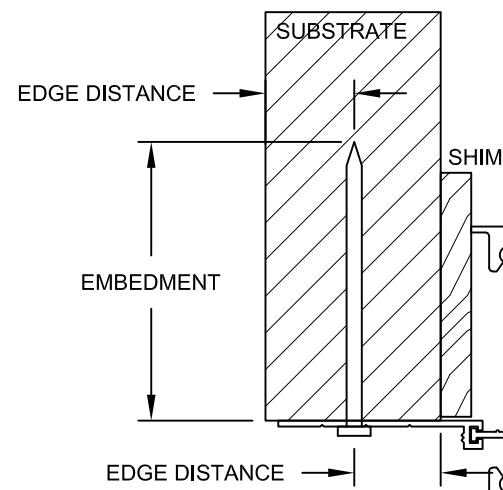
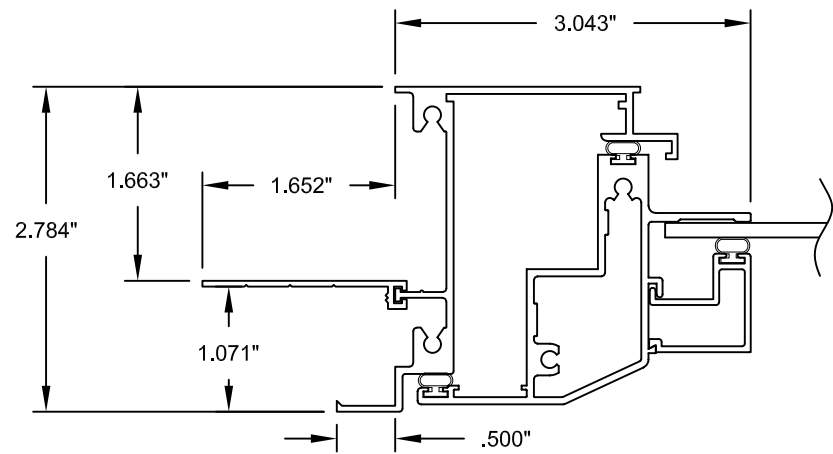
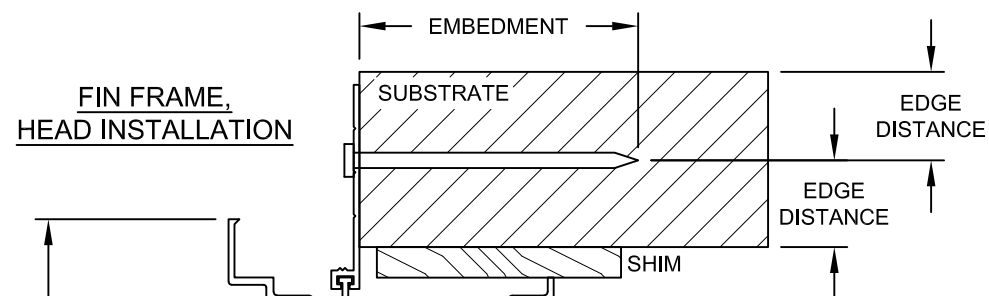
Title: <b>CASEMENT WINDOW APPROVAL</b>		Drawn By: <b>J ROSOWSKI</b>	
Description: <b>GENERAL NOTES &amp; ELEVATION</b>			Date: <b>06/12/11</b>
Revision: <b>MINOR EDITS</b>		Rev. By: <b>JR</b>	Rev. Date: <b>06/16/21</b>
Series/Model: <b>CA640</b>	Scale: <b>NTS</b>	Sheet: <b>1 OF 2</b>	Drawing No. <b>CA640-FPA</b>
			Rev: <b>B</b>

**PGT**

1070 TECHNOLOGY DRIVE  
N. VENICE, FL 34275  
(941) 480-1600

COPYRIGHT © 2021  
PGT INDUSTRIES, INC., LIMITED LICENSE  
TO MAKE COPIES FOR PERMITTING.  
REGISTRATION #29296

ANTHONY LYNN MILLER  
LICENSE  
No. 58705  
6/23/21  
STATE OF FLORIDA  
PROFESSIONAL ENGINEER  
A. LYNN MILLER, P.E.  
P.E.# 58705



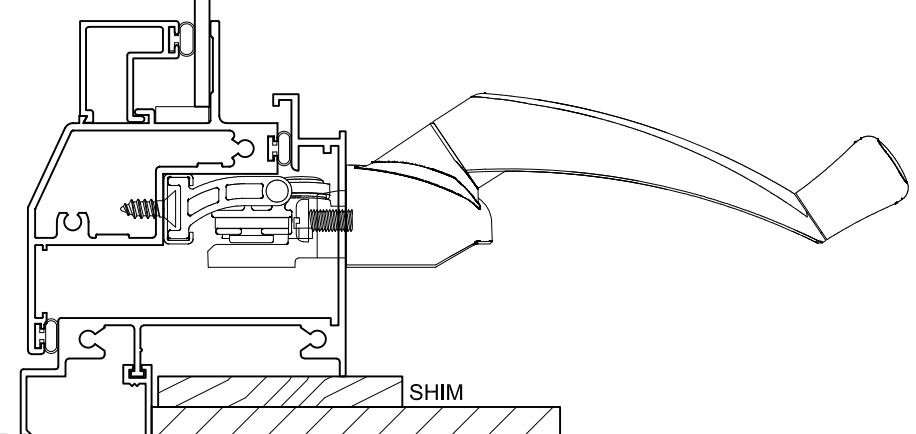
TIP-TO-TIP HEIGHT OF EXT. FLANGE

EXTERIOR

EXTERIOR

TIP-TO-TIP WIDTH SINGLE WINDOW

1.00"



**INSTALLATION NOTES:**

- 1) SEE SHEETS 1 FOR SPACING REQUIREMENTS.
- 2) SEE TABLE 1 FOR ANCHORAGE AND SUBSTRATE REQUIREMENTS.
- 3) MAX. SHIM THICKNESS TO BE 1/4".
- 4) ADD-ON FIN MAY BE REVERSED.

Title: <b>CASEMENT WINDOW APPROVAL</b>		Drawn By: <b>J ROSOWSKI</b>	
Description: <b>FIN-FRAME INSTALLATION DETAILS</b>		Date: <b>06/12/11</b>	
Revision: <b>MINOR EDITS</b>		Rev. By: <b>JR</b>	Rev. Date: <b>06/16/21</b>
Series/Model: <b>CA640</b>	Scale: <b>NTS</b>	Sheet: <b>2 OF 2</b>	Drawing No. <b>CA640-FPA</b>
			Rev: <b>B</b>

**PGT**

1070 TECHNOLOGY DRIVE  
N. VENICE, FL 34275  
(941) 480-1600

COPYRIGHT © 2021  
PGT INDUSTRIES, INC., LIMITED LICENSE  
TO MAKE COPIES FOR PERMITTING.  
REGISTRATION #29296

ANTHONY LYNN MILLER  
LICENSE  
No. 58705  
6/23/21  
STATE OF  
FLORIDA  
PROFESSIONAL ENGINEER  
A. LYNN MILLER, P.E.  
P.E.# 58705