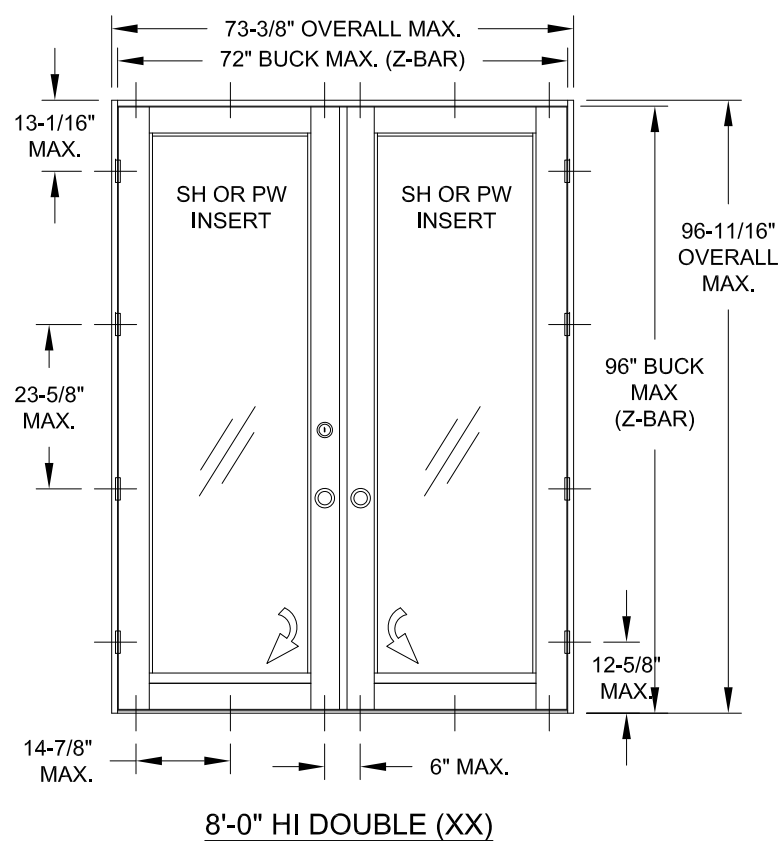
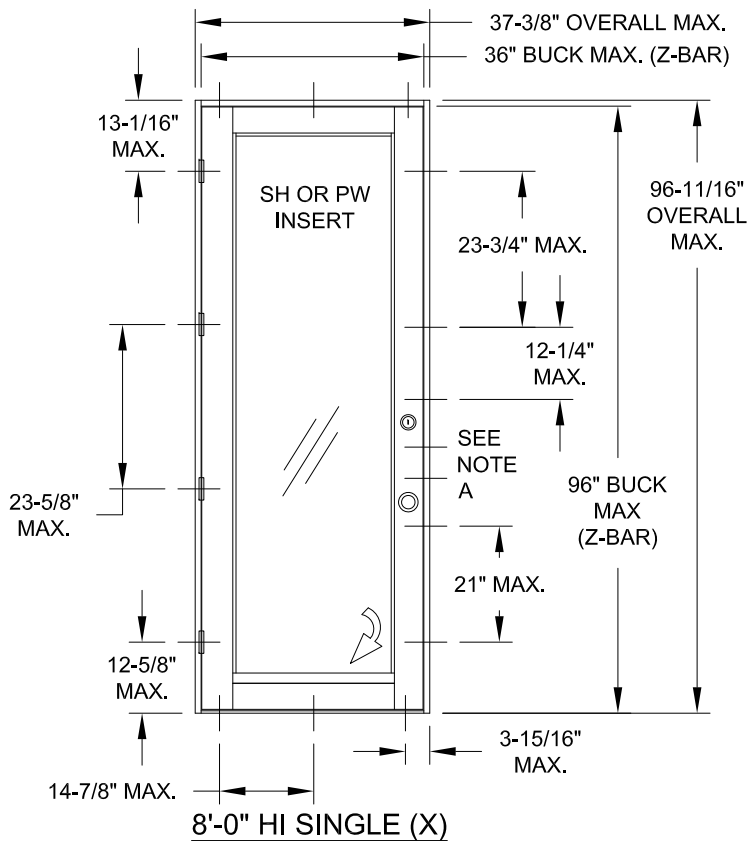
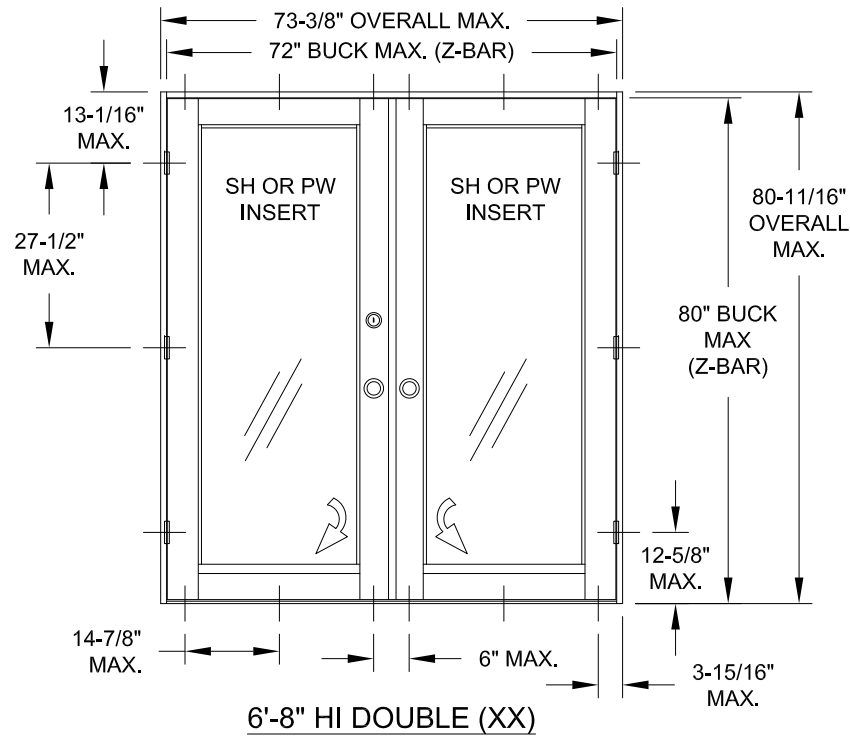
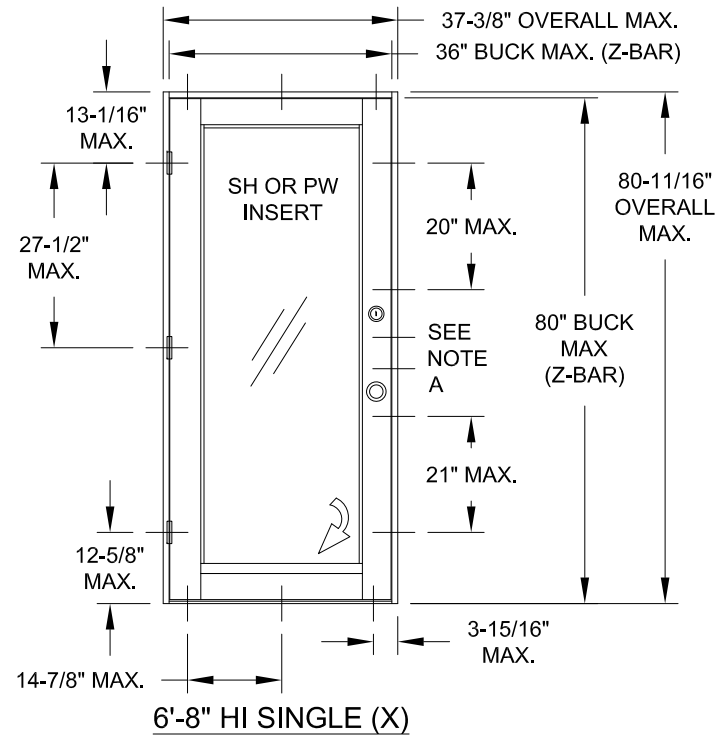


IMPACT RATING	DESIGN PRESSURE RATING
NON-IMPACT RESISTANT	+65.0/-70.0 PSF

GENERAL NOTES :

- 1) THE ANCHORAGE METHODS SHOWN HAVE BEEN DESIGNED TO COMPLY WITH THE FLORIDA BUILDING CODE FOR THE DESIGN PRESSURES LISTED.
- 2) WOOD BUCKS DEPICTED AS 1X ARE LESS THAN 1-1/2" THICK. 1X WOOD BUCKS ARE OPTIONAL IF UNIT IS INSTALLED DIRECTLY TO SOLID CONCRETE. WOOD BUCKS DEPICTED AS 2X ARE 1-1/2" THICK OR GREATER. ATTACHMENT METHOD OF WOOD BUCKS SHALL BE DONE BY OTHERS.
- 3) SEE TABLE FOR MINIMUM EDGE DISTANCE FROM CENTER OF ANCHOR TO SUBSTRATE EDGE (EXCLUDING FINISH OR STUCCO).
- 4) SHIM EACH ANCHOR LOCATION WHERE THE PRODUCT IS NOT FLUSH TO THE SUBSTRATE, USING SHIMS CAPABLE OF TRANSFERRING APPLIED LOADS.
- 5) ANCHORS SHALL BE COATED OR CORROSION RESISTANT AS APPROPRIATE FOR SUBSTRATE MATERIAL. DISSIMILAR MATERIALS SHALL BE PROTECTED AS REQUIRED TO PREVENT REACTIONS. ALUMINUM SHALL BE PROTECTED FROM DISSIMILAR MATERIALS AS SPECIFIED IN THE FLORIDA BUILDING CODE.
- 6) ADHESIVE SEALANT SHALL BE USED BETWEEN SUBSTRATE AND FLANGE OR FIN. OVERALL SEALING/FLASHING STRATEGY FOR WATER RESISTANCE OF INSTALLATION SHALL BE DONE BY OTHERS.
- 7) MATERIALS USED FOR ANCHOR EVALUATIONS WERE SOUTHERN PINE, 2.7 KSI CONCRETE AND CONCRETE MASONRY UNITS COMPLYING WITH ASTM C-90. GLAZING COMPLIES WITH ASTM E1300.
- 8) THE 1/3 STRESS INCREASE WAS NOT USED IN THIS ANCHOR EVALUATION. THE 1.6 LOAD DURATION FACTOR WAS USED FOR THE EVALUATION OF WOOD SCREWS.
- 9) IF THE EXACT PRODUCT SIZE IS NOT LISTED IN THE TABLES, ALWAYS ROUND UP TO THE NEXT LARGER VALUE.



ANCHOR LOCATIONS & SPACING

NOTE A :  
ANCHORS ARE REQUIRED WITHIN 3" OF THE CENTERLINE OF THE HANDLE AND/OR DEADBOLT.

TABLE 1:

As-Tested Configurations							
Max. Nom. Size (in)	Configuration	Swing Direction	Frame Type	Sill Type	DP (PSF)	Certification Number	Glass
36x80	Single (X)	Out-swing	Z-bar/Box	High (bumper)	+/- 50	190-789, 791	Min. 1/8" Temp., Mono. or I.G.
36x96	Single (X)	Out-swing	Z-bar/Box	Medium (bumper)	+/- 35	190-792	
72x96	Double (XX)	Out-swing	Z-bar/Box	Medium (bumper)	+/- 35		
36x96	Single (X)	Out/In-swing	Z-bar/Box	Low (saddle)	+/- 35*	793, 794	
72x96	Double (XX)	Out/In-swing	Z-bar/Box	Low (saddle)	+/- 35*		
*Limited Water (Water Infiltration Tested at 0 psf).							

TABLE 2:

Anchor	Substrate	Min. Edge Distance	Min. Embedment
#12 Steel SMS (G5) #12 410 S.S. SMS #12 18-8 S.S. SMS	P.T. Southern Pine (SG=0.55)	9/16"	1-3/8"
	Aluminum, 6063-T5*	3/8"	1/8"
	Steel, A36*	3/8"	0.045" (18 Ga)
1/4" Elco Ultracon	Concrete (min. 2.85 ksi)	1"	1-3/8"
	UngROUTED CMU, (ASTM C-90)	1"	1-1/4"
1/4" DeWalt Ultracon+	Concrete (min. 3.00 ksi)	1"	1-3/8"
	UngROUTED CMU, (ASTM C-90)	1"	1-1/4"
1/4" Elco 410 S.S. CreteFlex	Concrete (min. 3.35 ksi)	1-3/4"	1"
	UngROUTED CMU, (ASTM C-90)	1-3/4"	1-1/4"

- 1) ANCHOR MUST EXTEND A MINIMUM OF 3 THREADS BEYOND ANY METAL SUBSTRATE.
- 2) "UNGROUTED CMU" VALUES MAY BE USED FOR GROUTED CMU APPLICATIONS.
- 3) ALL ANCHOR HEAD TYPES ARE APPLICABLE.

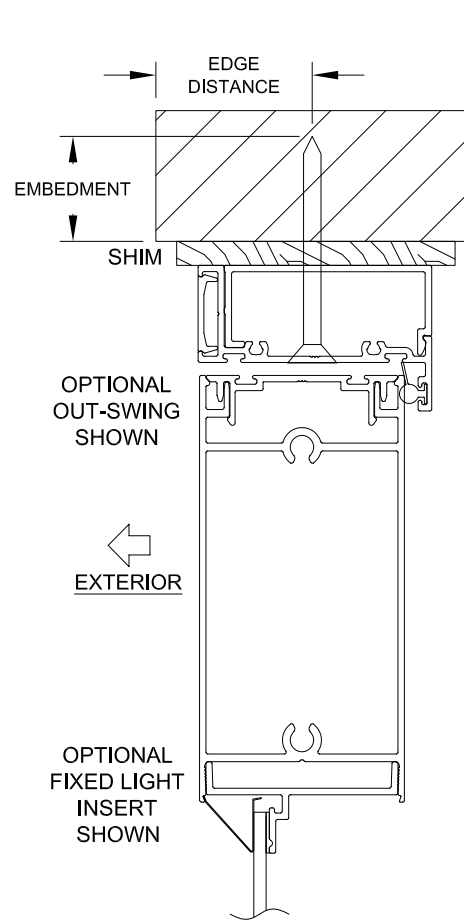
Rev. Desc.	MINOR EDITS	Sheet	By	JR	Date	6/16/21
------------	-------------	-------	----	----	------	---------

Series Desc. Title	CABANA DOOR INSTALLATION				Date	09/30/11
	ELEVATIONS/GENERAL NOTES				Drawn By	J ROSOWSKI
	CD290	Sheet	1 OF 3	DWG No.	CD290-FPA	Rev. B

COPYRIGHT © 2021  
PGT INDUSTRIES, INC.  
LIMITED LICENSE TO MAKE  
COPIES FOR PERMITTING.  
CERT. OF AUTH. #29296  
1070 TECHNOLOGY DRIVE  
N. VENICE, FL 34275 (941)-480-1600

A. LYNN MILLER, P.E.  
P.E.# 58705

**BOX FRAME,  
HEAD INSTALLATION  
(DIRECTLY TO SUBSTRATE)**



**BOX FRAME,  
HEAD INSTALLATION  
(USING 1X WOODBUCK)**

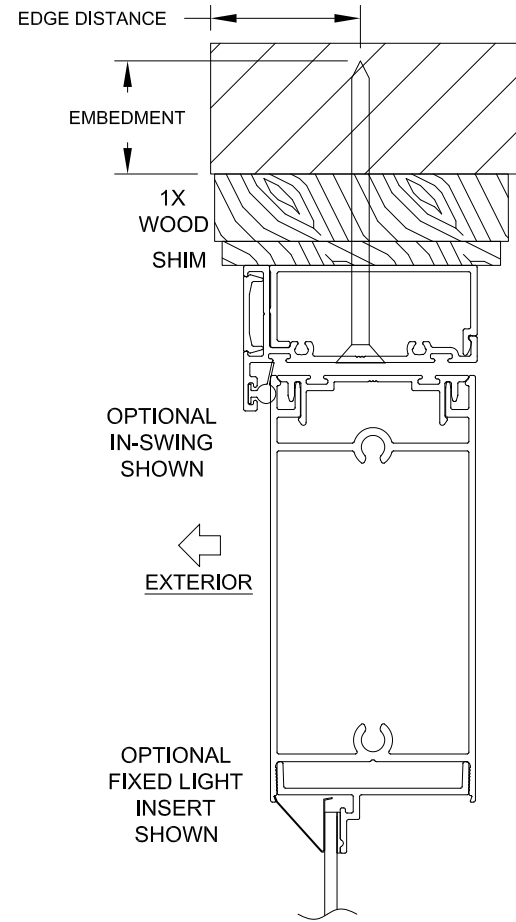
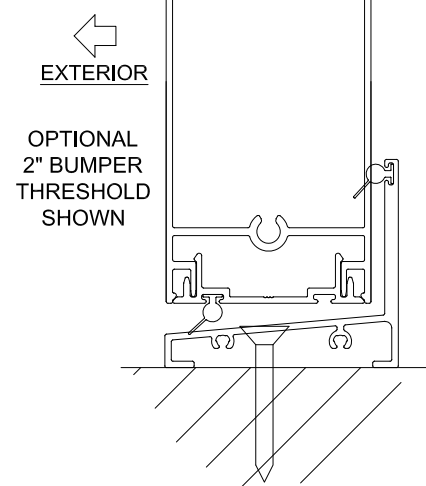
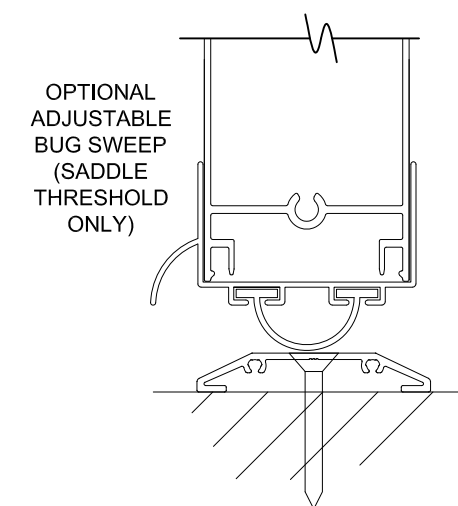
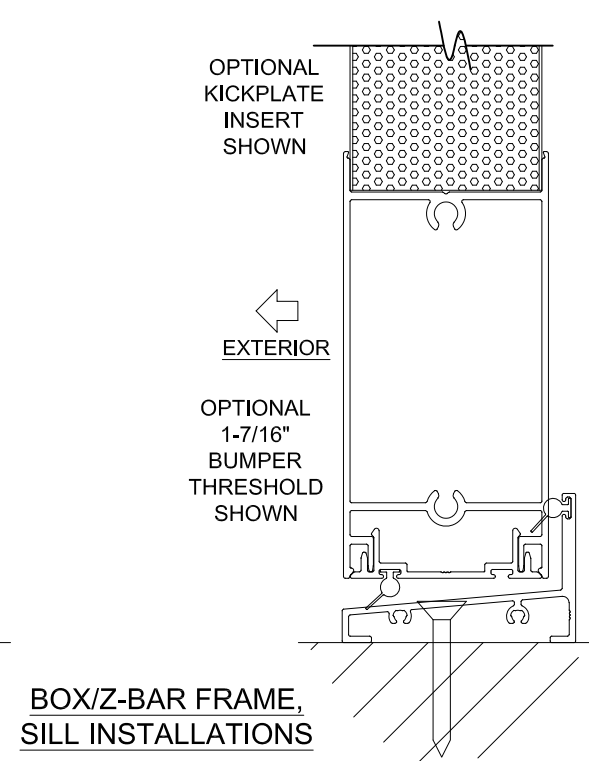
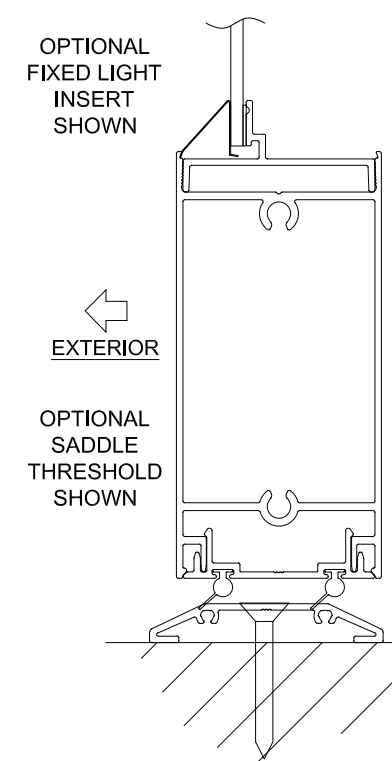
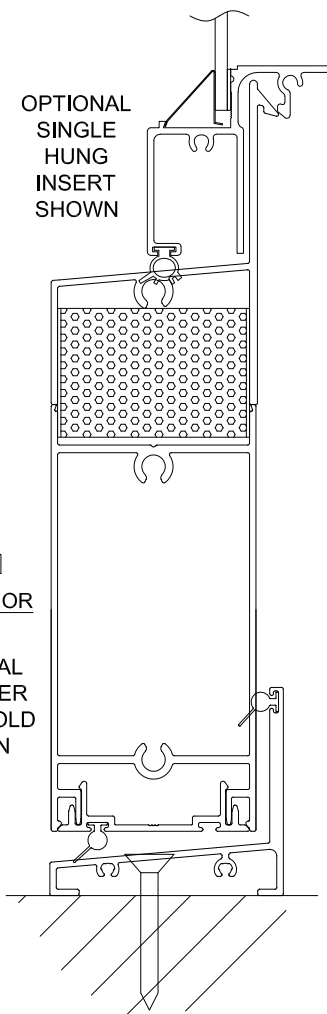
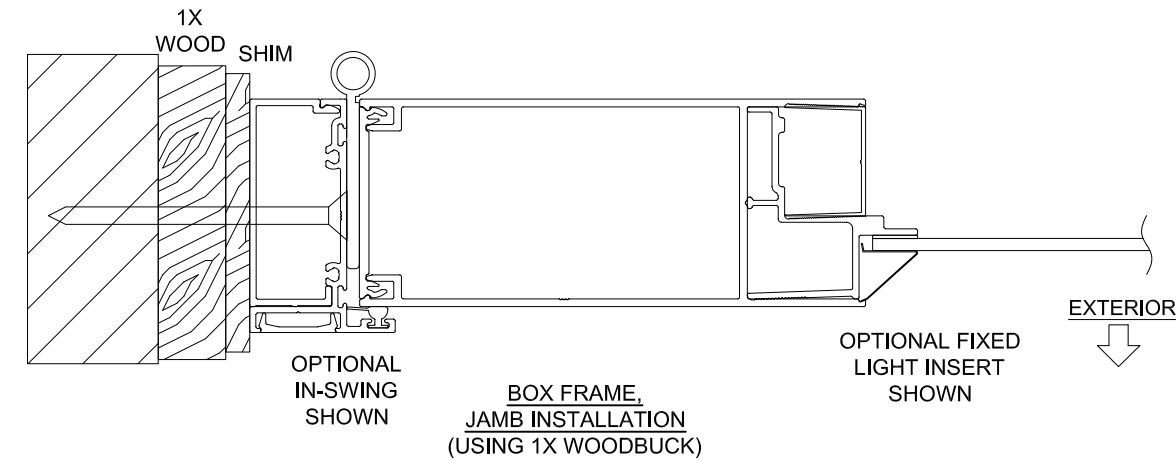
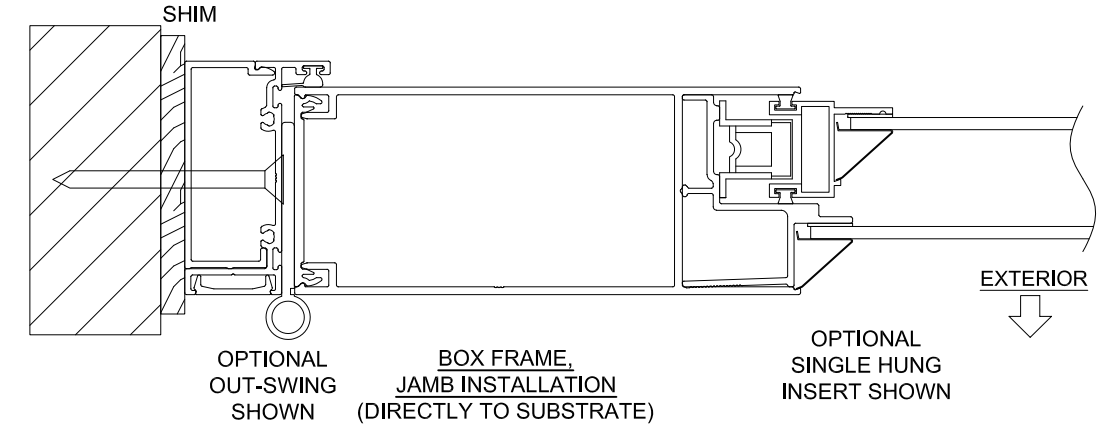


TABLE 3: HARDWARE (ALL FRAME TYPES)

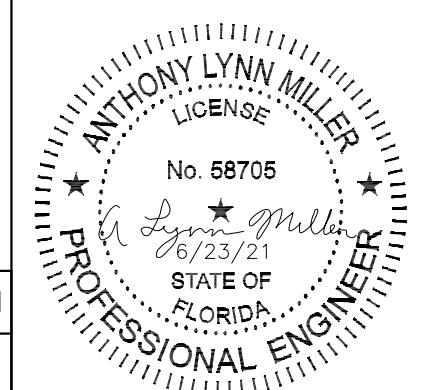
Part #	Description
7CDSP	Lock Strike Plate
6FLATM	Striker Backing Plate
7CDSPDB	Deadbolt Strike Plate
78516XS	#8-32 x .375 Ph. Fl. S.S.
4UBLOK	Lock Support Assy.
7634FW	#6 x .750 Ph. Fl. SMS
7CDSP	Lock Strike Plate (Active Slab)
6FLATM	Striker Backing Plate (Active Slab)
7CDSPDB	Deadbolt Strike Plate (Active Slab)
78516XS	#8-32 x .375 Ph. Fl. S.S. (Active Slab)
6CDRIMW	Rim Foam Insert - 3 3/8"
7DEAD	Deadbolt/Knob (Active)
7KNOBQ	Knob Set (Inactive)
7CDKLOKB	Deadbolt/Knob - Polished Brass (Active)
7DBLKB	Double Lockset
69333W	Hinge
41704	Hinge Pin Cap
41705	Hinge Pin Bushing
7XXXOM	Hinge Pin
7VT45	Hinge Rivet
7834FPTW	#8 x .750 Ph. Fl. TEK SMS



**INSTALLATION NOTES:**

- 1) SEE SHEET 1 FOR SPACING REQUIREMENTS.
- 2) SEE TABLE 2 FOR ANCHORAGE AND SUBSTRATE REQUIREMENTS.
- 3) MAX. SHIM THICKNESS TO BE 1/4".
- 4) FOR HARDWARE DETAILS, SEE TABLE 3.

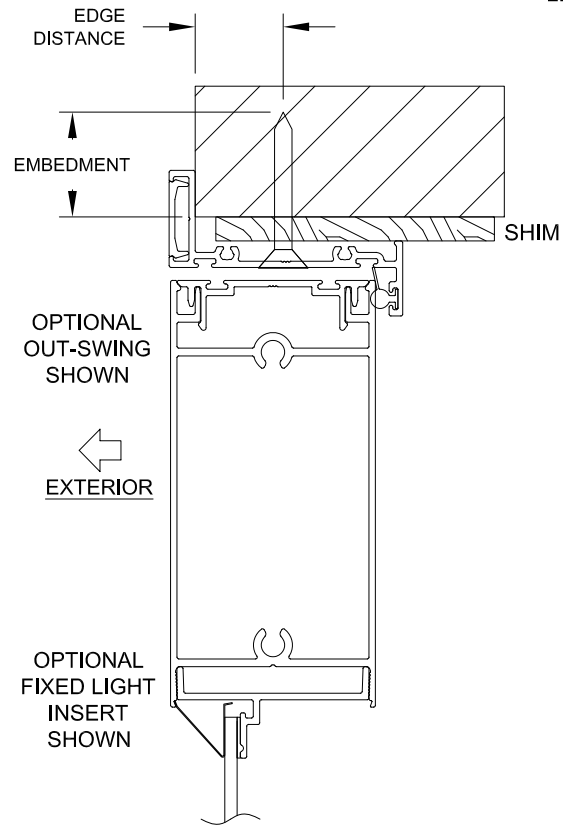
COPYRIGHT © 2021  
PGT INDUSTRIES, INC.  
LIMITED LICENSE TO MAKE  
COPIES FOR PERMITTING.  
CERT. OF AUTH. #29296  
1070 TECHNOLOGY DRIVE  
N. VENICE, FL 34275 (941)-480-1600



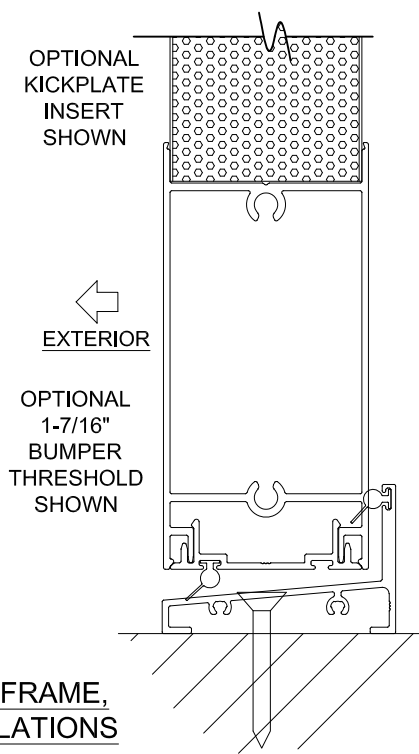
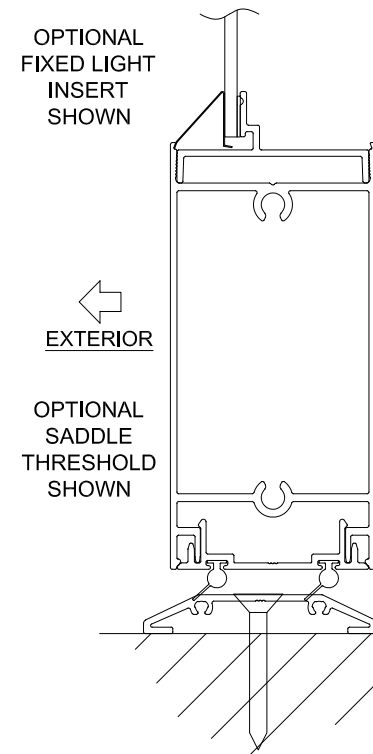
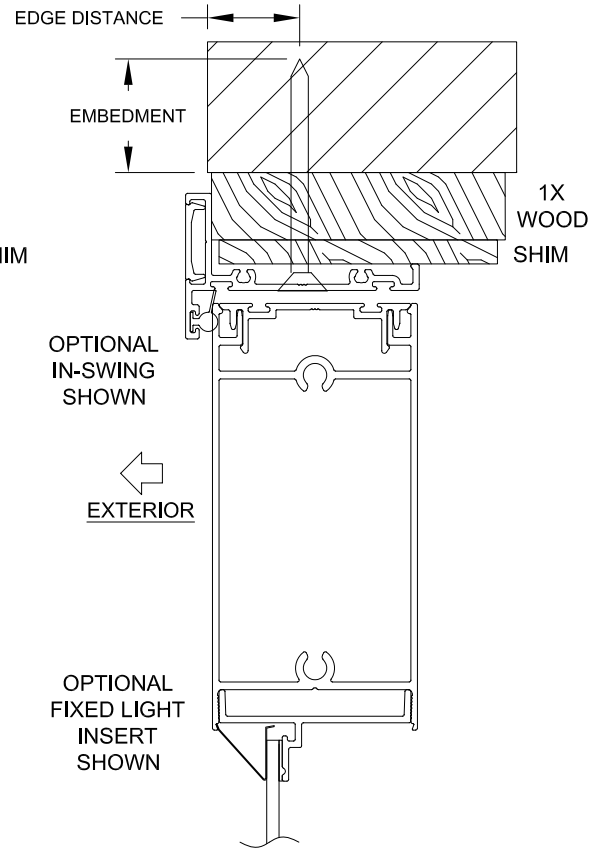
A. LYNN MILLER, P.E.  
P.E.# 58705

<b>PGT</b>	Series Desc. Title		Date			
	CABANA DOOR INSTALLATION		09/30/11			
	BOX FRAME INSTALLATION		Drwn. By	J ROSOWSKI		
CD290	Sheet	2 OF 3	DWG No.	CD290-FPA	Rev.	B

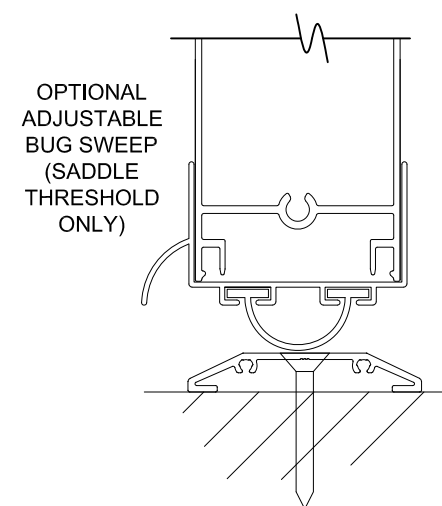
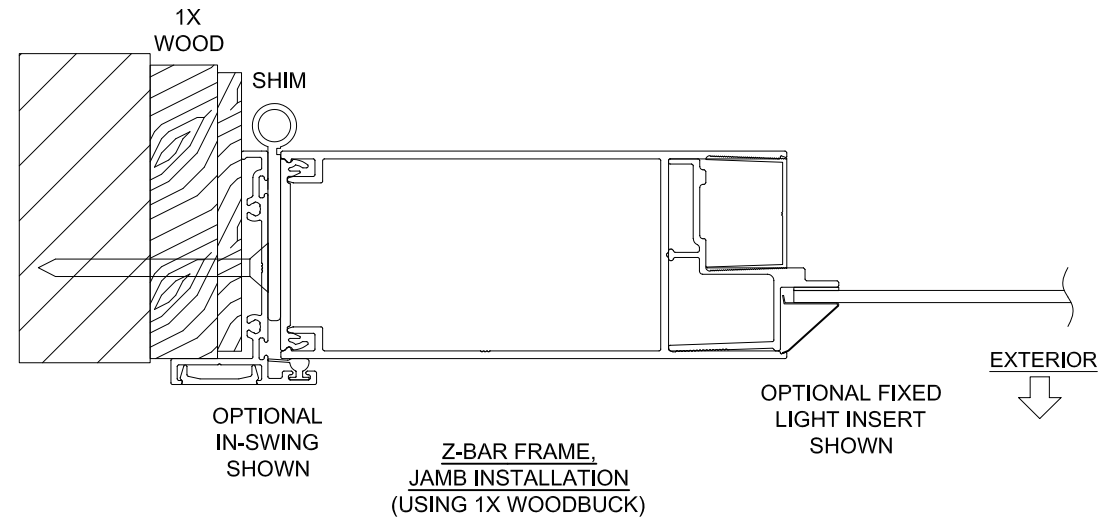
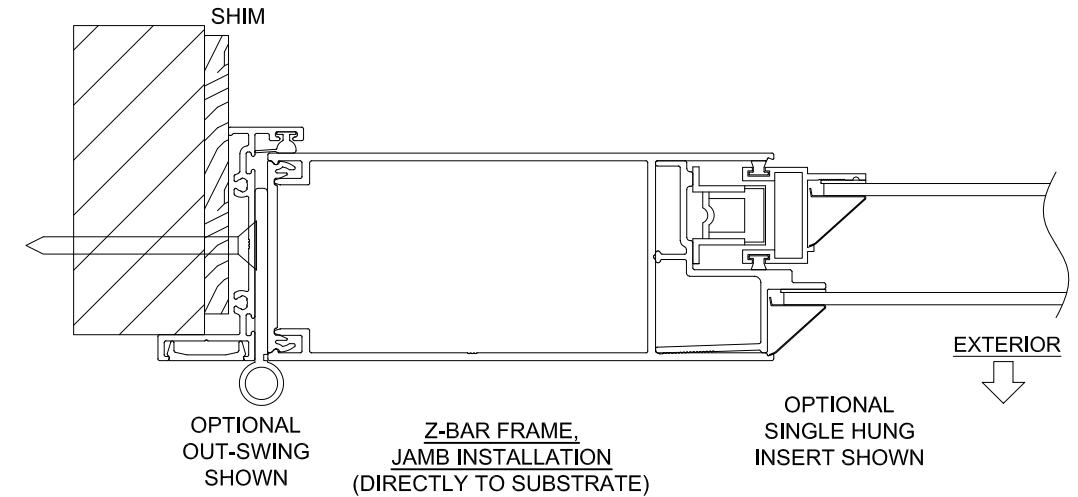
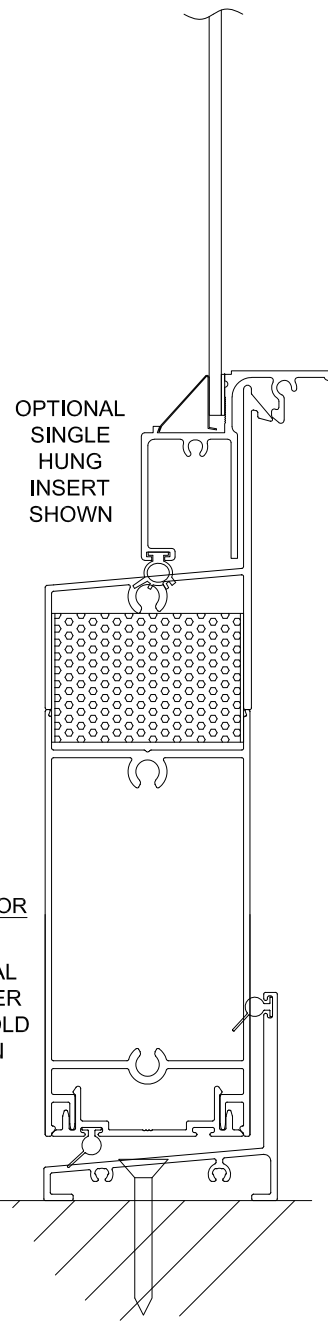
**Z-BAR FRAME,  
HEAD INSTALLATION  
(DIRECTLY TO SUBSTRATE)**



**Z-BAR FRAME,  
HEAD INSTALLATION  
(USING 1X WOODBUCK)**



**BOX/Z-BAR FRAME,  
SILL INSTALLATIONS**



**INSTALLATION NOTES:**

- 1) SEE SHEET 1 FOR SPACING REQUIREMENTS.
- 2) SEE TABLE 2 FOR ANCHORAGE AND SUBSTRATE REQUIREMENTS.
- 3) MAX. SHIM THICKNESS TO BE 1/4".
- 4) FOR HARDWARE DETAILS, SEE TABLE 3.

COPYRIGHT © 2021  
PGT INDUSTRIES, INC.  
LIMITED LICENSE TO MAKE  
COPIES FOR PERMITTING.  
CERT. OF AUTH. #29296  
1070 TECHNOLOGY DRIVE  
N. VENICE, FL 34275 (941)-480-1600

ANTHONY LYNN MILLER  
LICENSE  
No. 58705  
6/23/21  
STATE OF  
FLORIDA  
PROFESSIONAL ENGINEER  
A. LYNN MILLER, P.E.  
P.E.# 58705

<b>PGT</b>	Series Desc. Title		CABANA DOOR INSTALLATION		Date	09/30/11
	Z-BAR INSTALLATION		Drwn. By	J ROSOWSKI		
	CD290	Sheet	3 OF 3	DWG No.	CD290-FPA	Rev. B