



PGT ClassicVue Max™

PGT WinGuard®
ALUMINUM

CA640 / CA740

This reference guide is to help identify parts and ordering options.

FRAME PARTS



Nesting handle
(color matched to frame)



Upgraded nesting handle
Oil Rubbed Bronze, Antique Brass, Brushed Nickel



Multi point lock
(color matched to frame)



Construction handle
(prevents damage until the handle is installed)



Dyad operator
(width less than or equal to 24.5")



Dual arm operator
(width greater than 24.5")



Multi point lock support plate



Operator backing plate



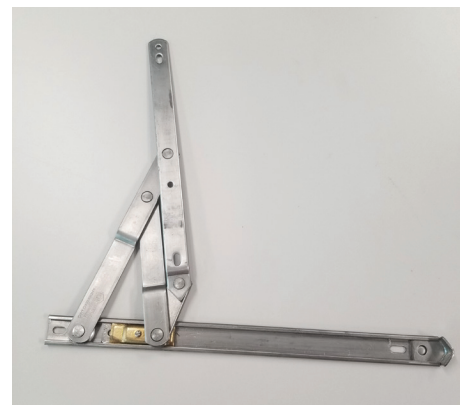
Operator gasket



Operator spacer block



Egress hinge



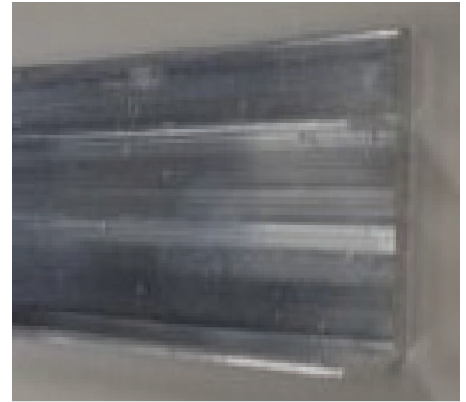
Washable hinge
(windows less than 24" wide)



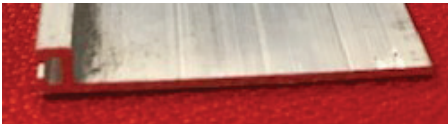
Egress/Washable hinge



Washable hinge egress key



Anchor plate



Continuous nail fin
(640 series only)



Frame cover
(fixed casements only)



Frame assembly tube
(units up to 63" tall)

VENT PARTS



Operator track
(used with a dual arm operator)



Operator track slider



Stud bracket



Multi point lock keeper



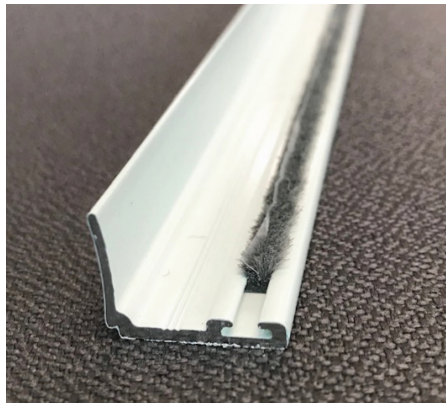
Snubber



Foam L pad



Bulb weather strip
(frame=double perimeter)
(sash= single perimeter towards exterior)



IG bead
(varies depending on glass type)

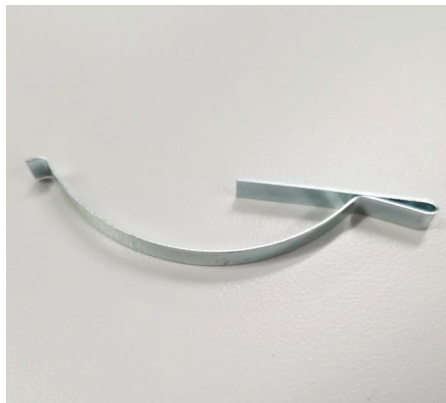


Sash limiter

SCREEN PARTS



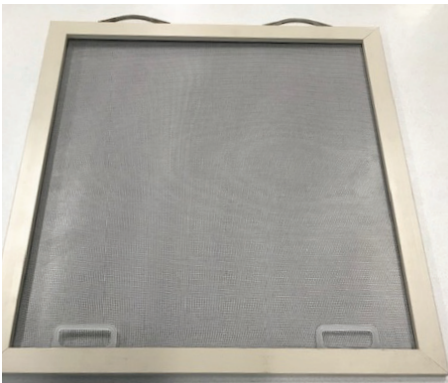
Screen corner key - extruded



Tension spring

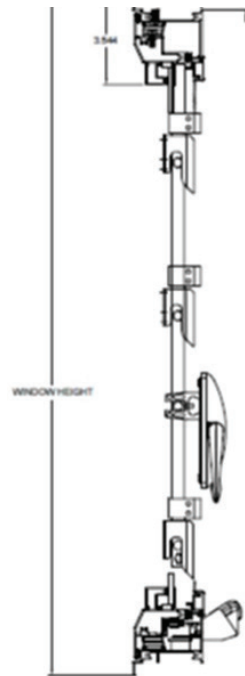
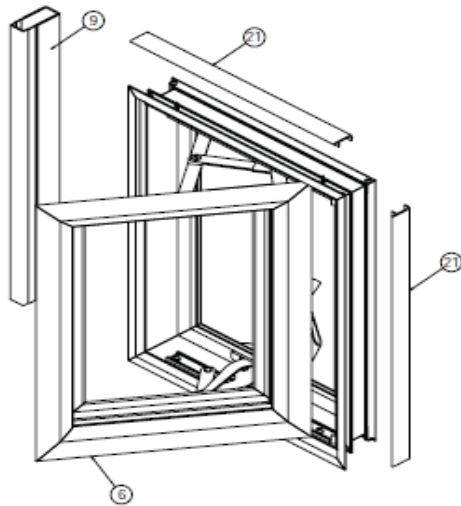
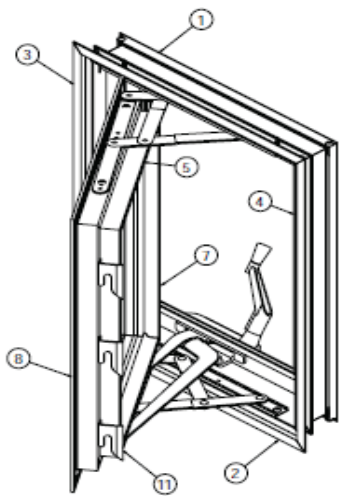


Screen clip



Extruded screen

EXPLODED VIEWS



- 1. Frame head
- 2. Frame sill
- 3. Frame jamb (hinge)
- 4. Frame jamb (latch)
- 5. Vent top rail
- 6. Vent bottom rail
- 7. Vent side rail (hinge)
- 8. Vent side rail (keeper)
- 9. Frame assembly tube

- 11. Keeper
- 21. Backing plate - used on all 4 sides