

Vinyl French Door Assembly Instructions

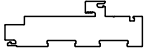
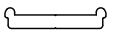




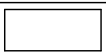
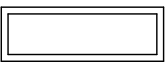
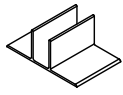
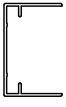


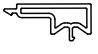
SERIES FD 5455/5555

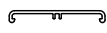



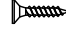


CUSTOM WINDOWS + DOORS

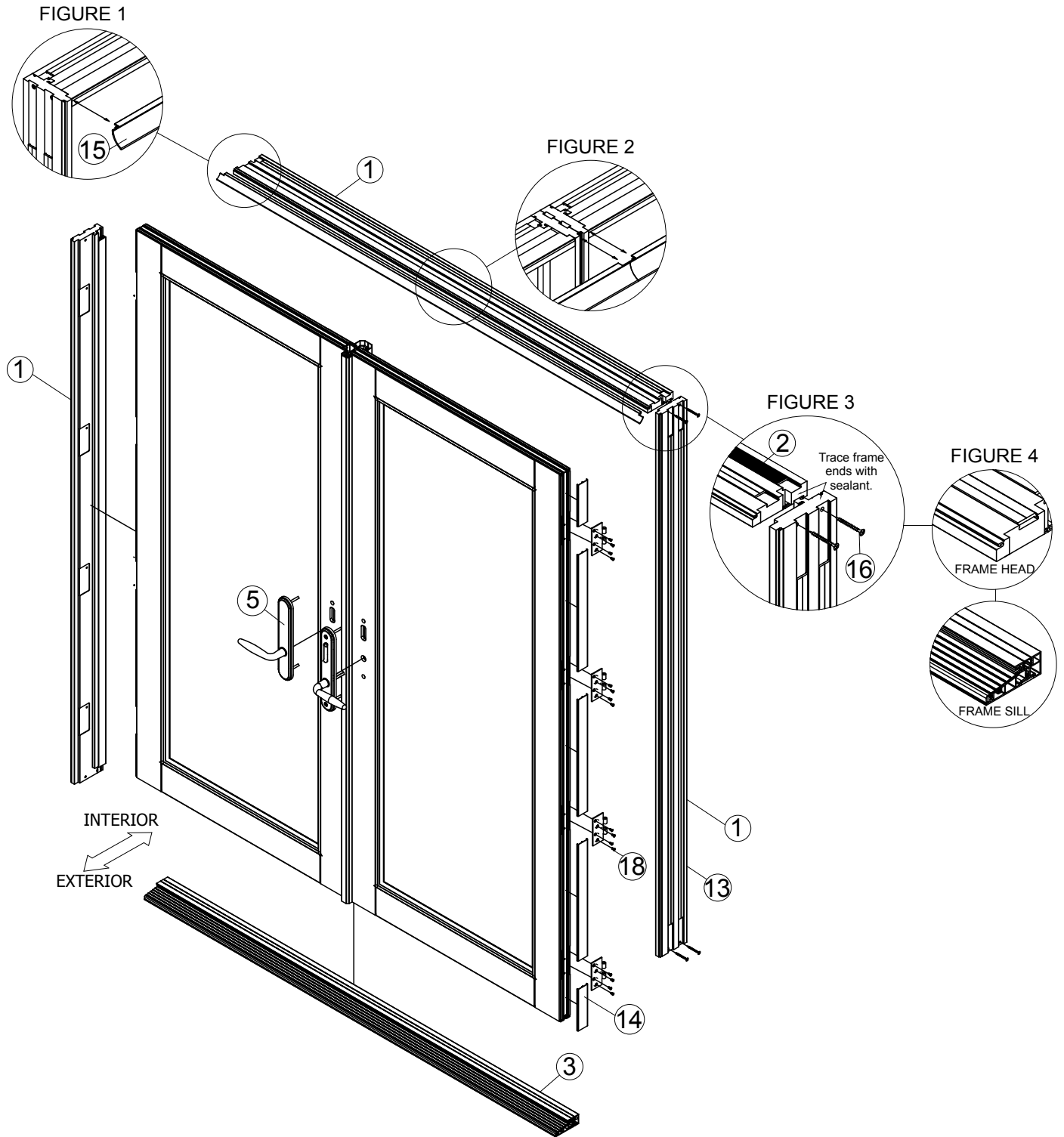
Para instrucciones en español, visite: <http://bit.ly/PGTAssemblyInstructions>

FD 5455 / 5555 Parts List

ITEM	FD 5455/5555 PARTS LIST		
1		FRAME HEAD AND JAMBS	1 SET
		French door head and jamb mainframe made of cellular PVC.	
2		ANCHOR PLATE	2 PER HEAD/JAMB
		Piece pre-installed that adds structure to the frame.	
3		FRAME SILL	1 EACH
		French door sill. Made of rigid PVC.	
4		TEMPORARY LATCH HANDLE	1 EACH
		Metal square handle used to temporarily operate the hardware of the door prior to installation of handle.	
5	 NOTE: OPTIONAL	ACTIVE AND INACTIVE HANDLES	1 SET
		Active handles used on active panels and inactive handles for inactive panels.	
6		FRENCH DOOR MULLION	1 PER SIDELITE
		Structural component used when mulling sidelites to doors.	
7		2" X 4" MULLION	1 PER TRANSOM
		Structural component used when mulling transoms to doors.	
8		2" X 6" MULLION	1 PER TRANSOM
		Structural component used when mulling transoms to doors.	
9		MULLION CLIPS (2" X 4" OR 2" X 6")	2 PER MULL
		Used to attach the mullion to the substrate.	
10		MULLION COVER	1 PER 2" X 4" MULL
		Cover used on the exterior of the 2" x 4" mullion.	
11		MULLION COVER	1 PER 2" X 4" MULL 2 PER 2" X 6" MULL
		Cover used on the interior of the 2" x 4" mullion and the interior and exterior of the 2" x 6" mullion.	
12		FRENCH DOOR MULLION COVER	2 PER FRENCH DOOR MULLION
		Used on the interior and exterior of the French Door mullion.	
13		SCREW COVER	3 PER FRAME
		Snap-on cover that hides the head and jamb installation screws.	

14		HINGE TRIM COVER	1 PER DOOR PANEL
		Cover that is installed on the hinge side of the panel.	
15		DRIP CAP	1 PER DOOR PANEL / SIDELIGHT
		Exterior cap that directs rain away from the unit.	
16		FRAME ASSEMBLY SCREW AND HINGE MULLION ASSEMBLY SCREW #10 X 2" PHILLIPS FLATHEAD	8 PER FRAME ASSEMBLY 1 PER HINGE
		Screw used to assemble the main frame. Also used to attach door frame to mull bar at hinge.	
17		HINGE ASSEMBLY SCREW #10 X 2-3/4" CONCRETE ANCHOR	1 PER HINGE
		Used to attach door frame to substrate at hinge.	
18		HINGE ASSEMBLY SCREW #10 x 1" DECK	3 PER HINGE
		Screw used for attaching hinges to frame.	

FD 5455 / 5555 Frame Exploded View



NOTICE

CAREFULLY FOLLOWING THE INSTRUCTIONS IN THE PROPER SEQUENCE
WILL REDUCE MISTAKES AND SAVE TIME.

- A Parts List is provided at the front of this document for quick reference. Inspect the product and take inventory of all parts and pieces prior to installation. (ex. screws, frame, panel, etc.)
- Exploded View Reference(s) at the front of this document act as a reference for general location of parts and depict figures that are referenced when following steps outlined in these instructions.
- Carefully review these assembly instructions along with installation details contained in the AAMA Specifications, Miami-Dade Notice of Approval, or test reports, including anchorage information, if applicable.

SECTION 1: DOOR FRAME ASSEMBLY

Refer to Exploded View for Figures 1 - 4.

1. Locate the door frame head, sill, and jambs (Items 1 and 3). Trace the ends of the head, sill, and jambs with sealant (Figure 3).
2. Assemble frame using the supplied frame assembly screws (Item 16; Figure 3), making sure the frame is facing the exterior (Figure 4).
3. Cover the outside corners with sealant after completing frame assembly.

NOTE: Securely store screw covers (Item 13) until after passing inspection. Refer to Section 7 for installation instructions.

SECTION 2: SIDELITES AND TRANSOMS

If the unit does not contain sidelites or transoms, skip to Section 3.

Section 2.1: French Door Mullion

If a French Door mullion (Item 6) is not being used, skip to the respective alternate mullion subsection.

4. Locate the French Door mullion (Item 6) and place the mullion flush against the door frame, securing with an appropriate amount of sealant.
5. Clamp the French Door mullion to the door frame. Pre-drill the mullion with a 9/64" drill bit. Attach mullion to door frame using assembly screws (not included; Figure 5). Do not over tighten assembly screws. This can cause frame distortion.
6. Locate the sidelite and place the sidelite flush against the previously attached French Door mullion. Secure with an appropriate amount of sealant.
7. Clamp the sidelite to the French Door mullion. Attach the sidelite to the mullion using assembly screws (not included; Figure 5). Do not over tighten assembly screws. This can cause frame distortion.

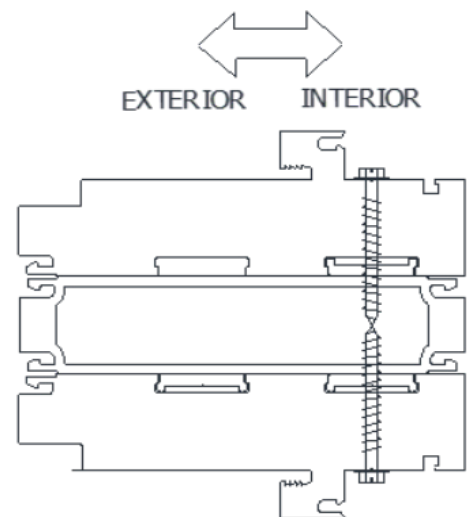


Figure 5

NOTE: Securely store French Door mullion covers (Item 12) until after passing inspection. Refer to Section 7 for installation instructions.

Section 2.2: 2" x 4" or 2" x 6" Mullion

8. Locate the mullion (Item 7 or 8) and mullion clips (Item 9). Secure and install mullion and mullion clips into the opening in compliance with local code requirements AAMA specifications, Miami-Dade NOA, or test reports. See Figures 6 and 7.

9. Locate and place mullion covers (Items 10 and 11) on to the mullion. Trim the covers so they align flush against each mullion clip.

IMPORTANT: All mullion covers must be installed before attaching the unit to each mullion.

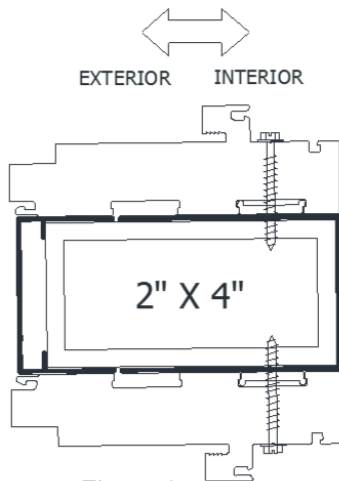


Figure 6

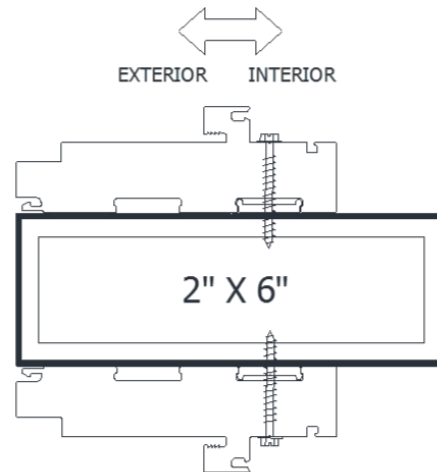


Figure 7

SECTION 3: DOOR FRAME INSTALLATION

Section 3.1: Single Door Pre-Installation Prep

If a unit is a single door, the panel will be pre-hung.

10. Prior to installing the pre-hung Single Door, locate and remove the shipping clip from the lock jamb (Figure 8).

11. Locate the black lock cover and install it into the extruded channel on the lock jamb (Figure 9). Once installed, the lock cover will extend the entire length of the jamb, completely covering all lock holes.

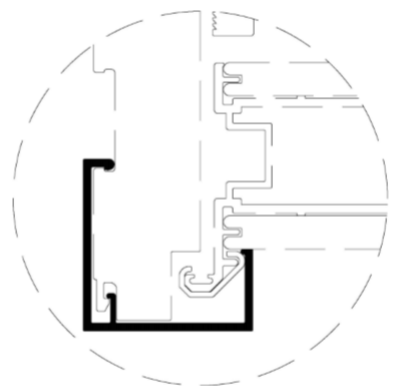


Figure 8

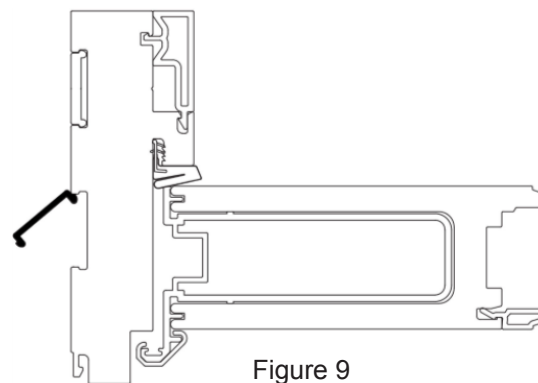


Figure 9

Section 3.2: Single & Double Door Installation

12. Attach frame assembly, sidelites, and transom (if applicable) to opening in compliance with local code requirements, AAMA specifications, Miami-Dade NOA, or test reports. Do not over tighten installation screws. This can cause frame distortion.

13. Verify the frame is still plumb in opening, then seal outside perimeter of the frame and all screws, including all seams and corners.

NOTE: For Single Door install continue to Section 5: Drip Cap Installation.

SECTION 4: HANGING THE PANELS

Helpful Tip: When preparing to hang panels, glass suction cups can make manipulating the panels significantly easier.

14. Prepare a block (or piece of lumber) to rest the panels on while securing the panel into the frame.

15. For each hinge, use three hinge assembly screws (Item 18) to attach the panels to the frame.

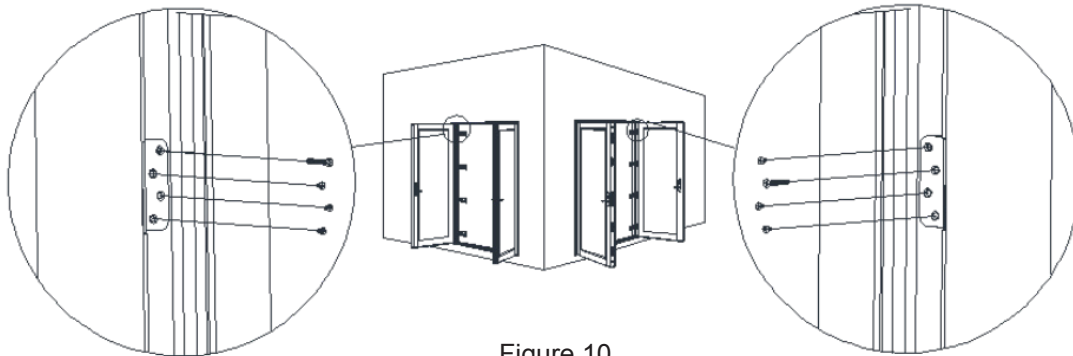


Figure 10

16. If attaching the panel to a substrate, use one long hinge assembly screw (Item 17). See Figure 10 for proper screw placement on hinges.

17. If attaching the panel to a mullion, use one hinge mullion assembly screw (Item 16). See Figure 10 for proper screw placement on hinges.

18. Measure the lengths of exposed panel along the hinged side - between the top of panel to the first hinge, between each hinge, and between the bottom hinge and the bottom of the panel (Figure 11).
19. Locate the hinge trim cover (Item 14) and cut to the lengths determined in the previous step.
20. Snap the cover pieces into the hinged side of the panel around the hinges.

SECTION 5: DRIP CAP INSTALLATION

21. If door only (no sidelites), field notch the ends of the drip cap (Figure 1), then install the drip cap (Item 15) into the accessory groove on the exterior side of the door frame head. The drip cap should extend flush over the jambs.
22. Seal along the seam.
23. If door with sidelite(s), field notch the ends of the drip cap (Figure 1) and sections of drip cap that fit around the mullion assembly (Figure 2), then install the drip cap (Item 15) into the accessory groove on the exterior side of the door frame head. The drip cap should extend across the entire length of the door and sidelite(s).
24. Seal along the seam.

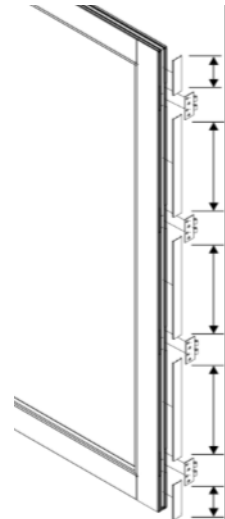


Figure 11

SECTION 6: HARDWARE

25. Attach handle sets (Item 5) according to manufacturer's instructions for single and double doors.
26. **If a single door**, close the active panel. If a double door, close the inactive panel and latch the flush bolts.
27. Check door alignment. **If a single door**, check against the frame jamb. If a double door, check against the inactive panel. 3/16" of space should be showing when the active panel is slightly ajar (Figure 12).

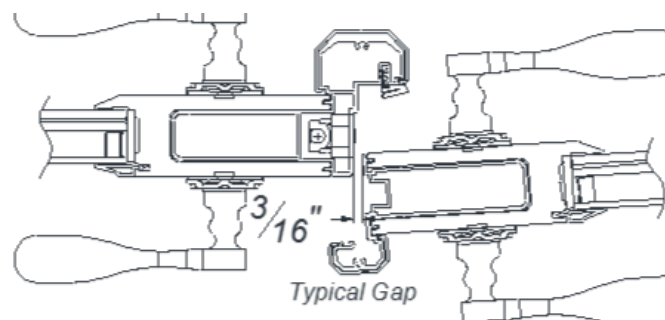


Figure 12

28. Use a 1/8" hex wrench (not included) to perform the following adjustments. If a single door, adjust strike plates on the frame jambs. **If a double door**, open door and adjust the strike plates on the side of the inactive panel (Figure 13). Make adjustments until the Rhino hooks function correctly.

Helpful Tip: If the panels are crashing or are too far apart, the frame jambs may have rotated during installation. Measure frame width on interior and exterior (Figure 14) to ensure that jambs are parallel and straight. This condition can be corrected by loosening screws in the jambs and adjusting the shims.

29. Close the active panel and turn the thumb turn to engage the deadbolt. Check that the Rhino hook engages correctly. Refer to Step 26 if additional adjustments are needed.

Note: Escutcheon plate dimensions shown in Figure 15 can be used to source alternate hardware.

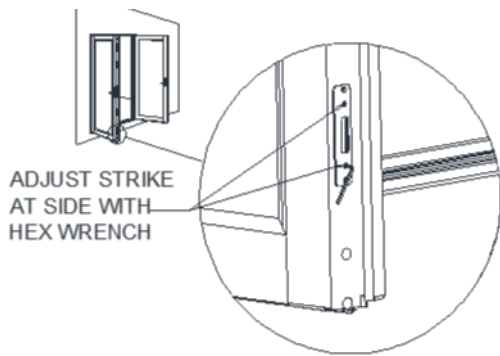


Figure 13

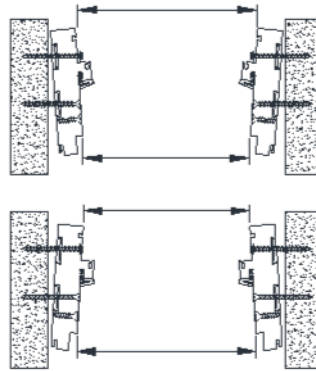


Figure 14

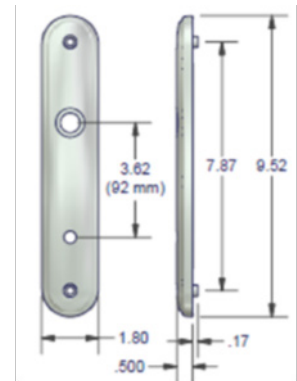


Figure 15

SECTION 7: AFTER PASSING INSPECTION

30. Locate and install screw covers (Item 13) by snapping the cover into the groove in the door frame (Figure 16). Then use a rubber mallet to strike the cover at an angle to secure the cover.

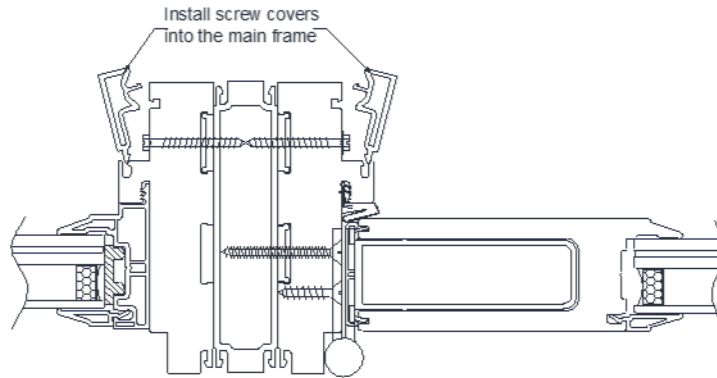


Figure 16

31. Install French Door mullion covers (Item 12) on both interior and exterior sides of the mullion (Figure 17).

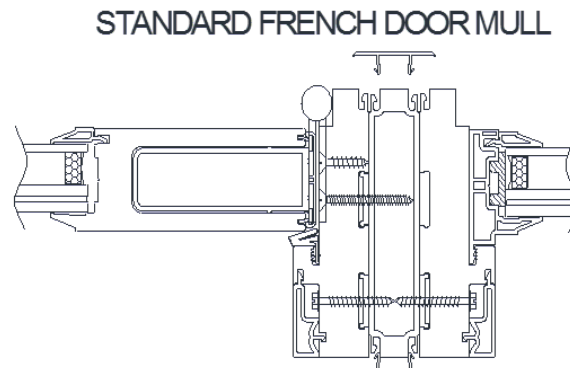


Figure 17



CUSTOM WINDOWS + DOORS



PGTINDUSTRIES.COM | N. VENICE, FL
©2017 PGT CUSTOM WINDOWS + DOORS
09/17 ME0300181

