



PGT ClassicVue Max™

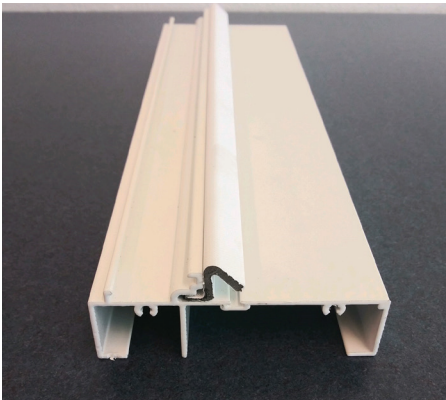
PGT WinGuard®
ALUMINUM

FD650 / FD750

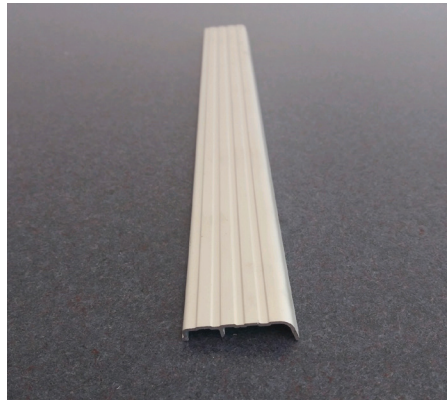
This reference guide is to help identify parts and ordering options.

Parts shown with weather-stripping may need weather-stripping ordered separately.

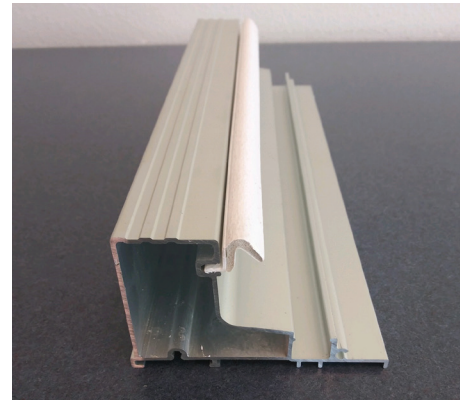
FRAME PARTS



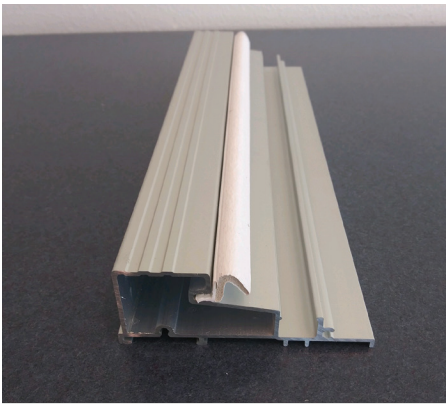
Head and jamb
(ordered by unit size or 12" sample)



Threshold cover
(ordered by unit size or 12" sample)



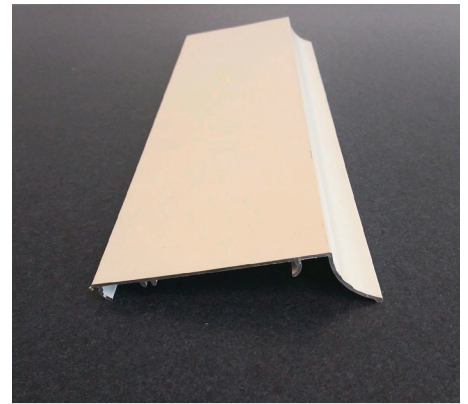
Exterior 2.250" bumper threshold
(ordered by unit size or 12" sample)



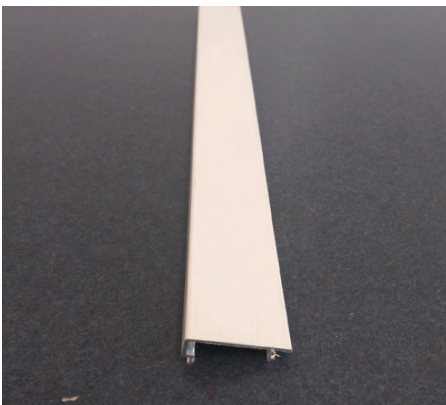
**Low rise 1.375"
bumper threshold**
(ordered by unit size or 12" sample)



Anchor plate (jambs)
(ordered by actual cut size or unit size)



Drip cap
(ordered by unit size or 12" sample)



**Head & jamb installation
screw cover**
(ordered by actual cut size)



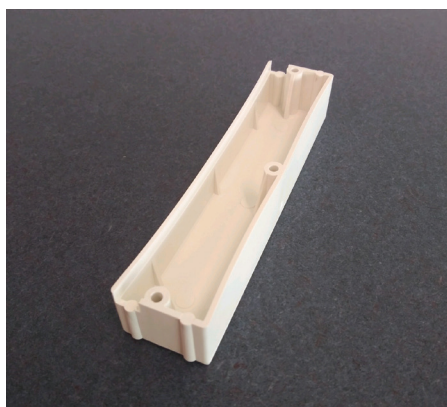
Frame assembly gasket (top)



**Frame assembly gasket
(bottom)**



Jamb strike plate



Jamb strike plate back plate

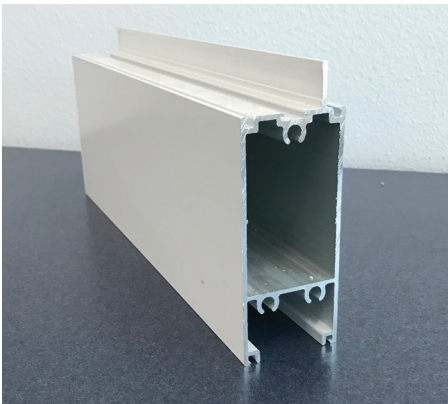


Frame head strike plate



Frame head strike plate
backing plate

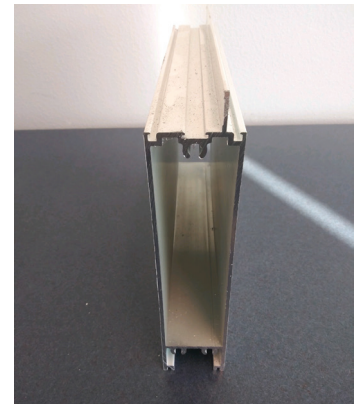
SLAB PARTS



Top rail
(ordered by unit size or 12" sample)



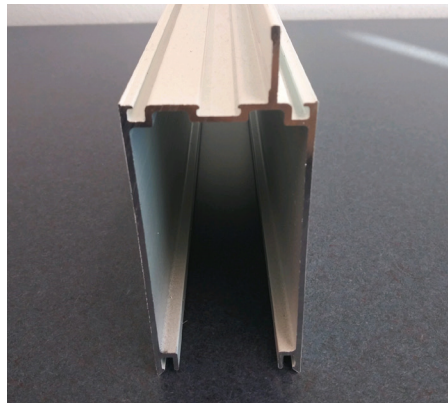
Top sweep
(ordered by unit size or 12" sample)



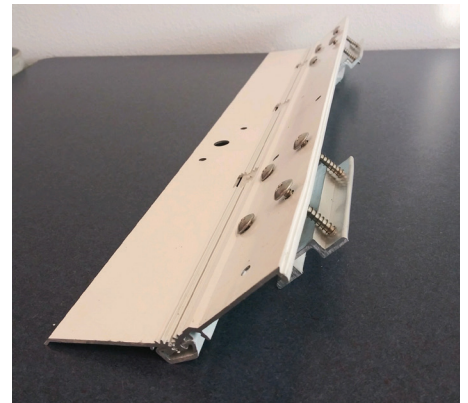
Bottom rail
(ordered by unit size or 12" sample)



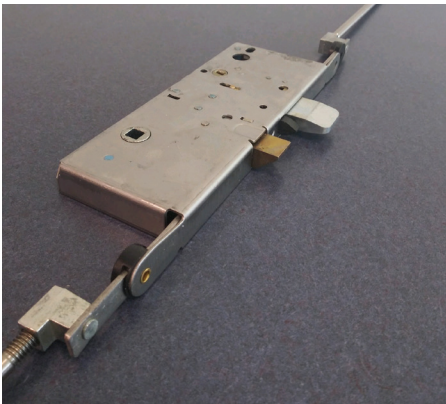
Bottom sweep
(ordered by unit size or 12" sample)



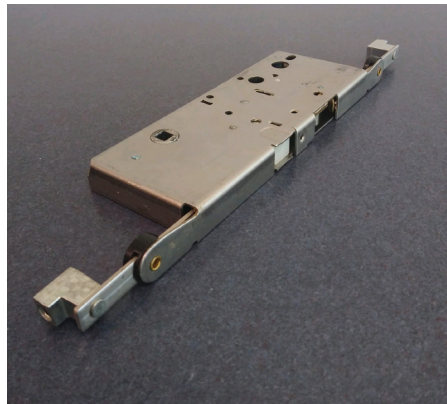
Stile
(ordered by unit size or 12" sample)



Gear hinge assembly
(ordered by unit size or 12" sample)



Active gear box lock assembly
(ordered by unit size)



Passive gear box assembly
(ordered by unit size)



Bottom flush bolt rod



Inactive flush bolt
top or bottom



Inactive astragal adapter
(ordered by unit size or 12" sample)



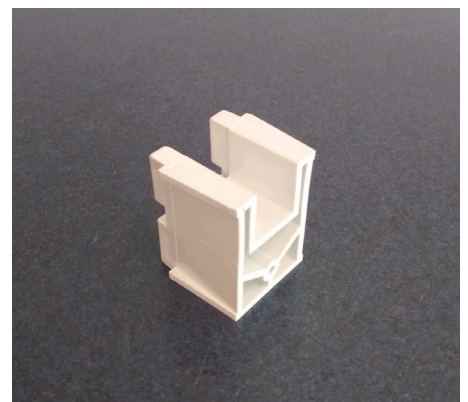
Active astragal adapter
(ordered by unit size or 12" sample)



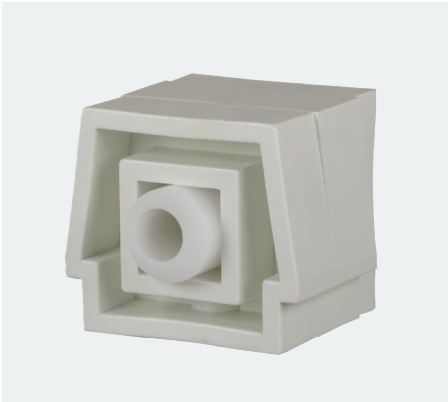
Astragal strike plate



Inactive astragal end seal



Lock block



Shoot bolt guide assembly

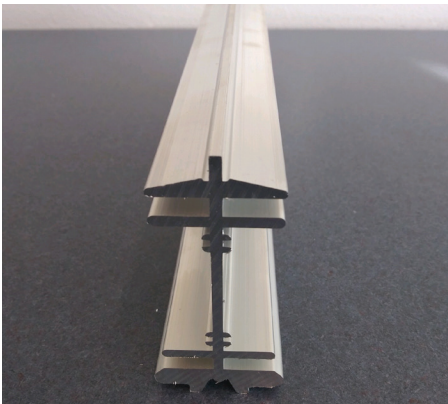


Top sweep weather-strip

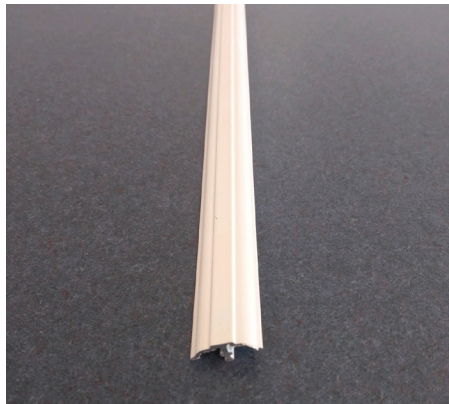


Top sweep weather-strip

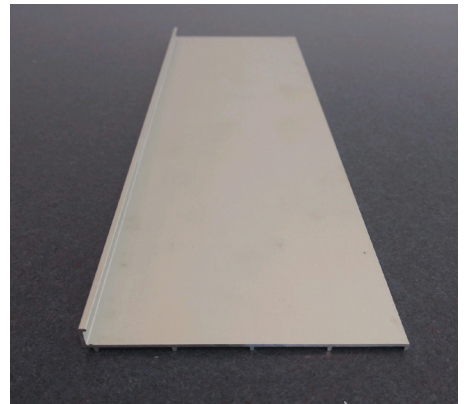
SIDE LITE PARTS



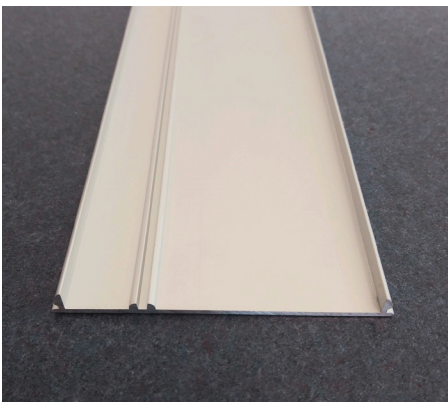
Assembly beam (I-beam)
(ordered by actual cut size or unit size)



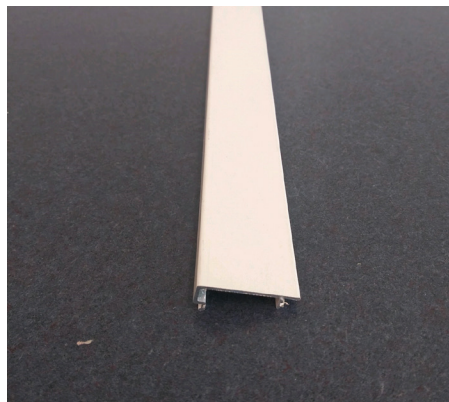
Assembly beam trim cover
(interior/exterior)
(ordered by actual cut size)



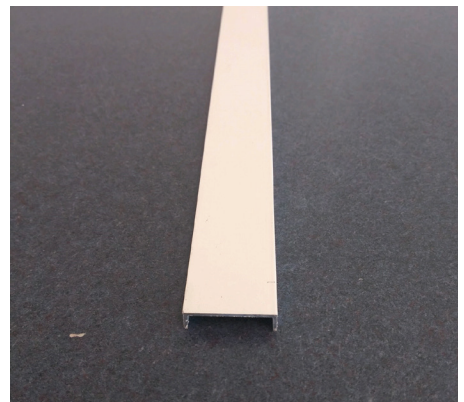
Sill pan
(ordered by unit size or 12" sample)



Anchor plate
(ordered by actual cut size or unit size)



Screw cover- full sidelite
(ordered by actual cut size)

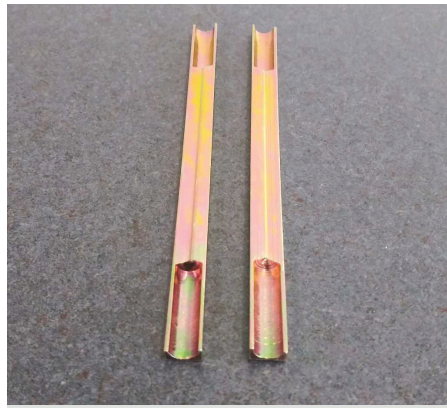


Screw cover- narrow sidelite
(ordered by actual cut size)

HARDWARE



FD installation kit



Handle rod set



Temporary handle



Dummy plate



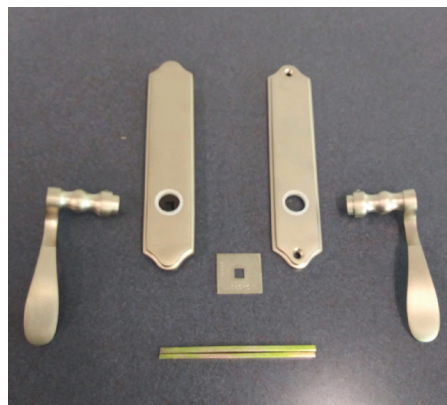
Handle bushing



Key alike cylinder



Active trim set



Dummy trim set



Passive trim set

FRENCH DOOR EXPLODED

Door Assembly

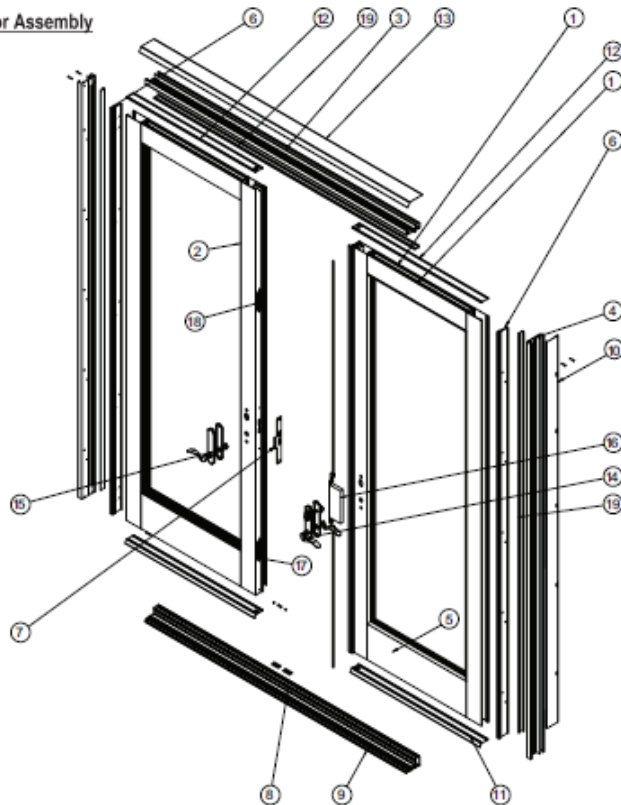


Figure # Description

1. Active slab
2. Inactive slab
3. Frame head
4. Frame jamb
5. Bottom rail
6. Hinge Assembly
7. Astragal strike plate
8. Standard Outswing Threshold
9. Threshold Cover
10. Install plate
11. Bottom sweep
12. Sweep - top
13. Drip cap
14. Active trimset handle set
15. Inactive handle set
16. Active lock assembly
17. Bottom flushbolt assembly
18. Top flushbolt assembly
19. Install screw cover

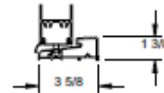
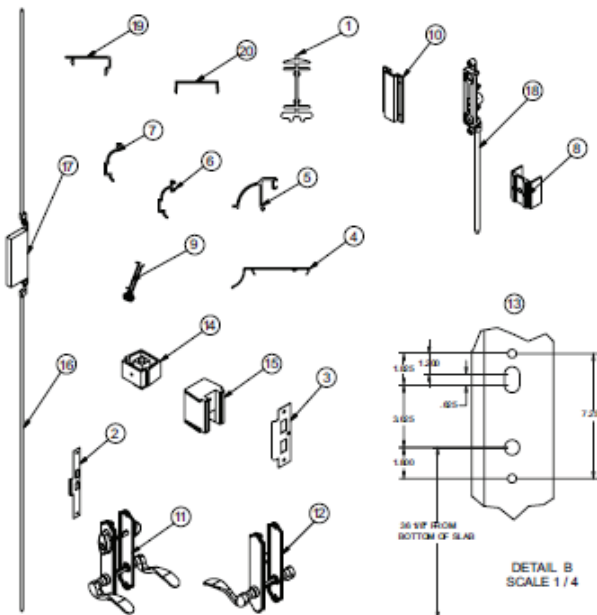


Figure # Description

1. French door assembly beam
2. Astragal strike plate
3. Jamb strike plate
4. Drip Cap
5. 7/16" glazing bead
6. Insulating glazing bead
7. Back bead
8. Panel assembly channel
9. Hinge assembly
10. Hinge backplate
11. Active handle set
12. Inactive handle set
13. Trim set prep
14. Guide block
15. Lock block
16. Stainless steel shootbolt rod
17. Active lock assembly
18. Flushbolt
19. Install screw cover
20. Sidelite screw cover



FRENCH DOOR EXPLODED

Full Jamb Sidelite Assembly

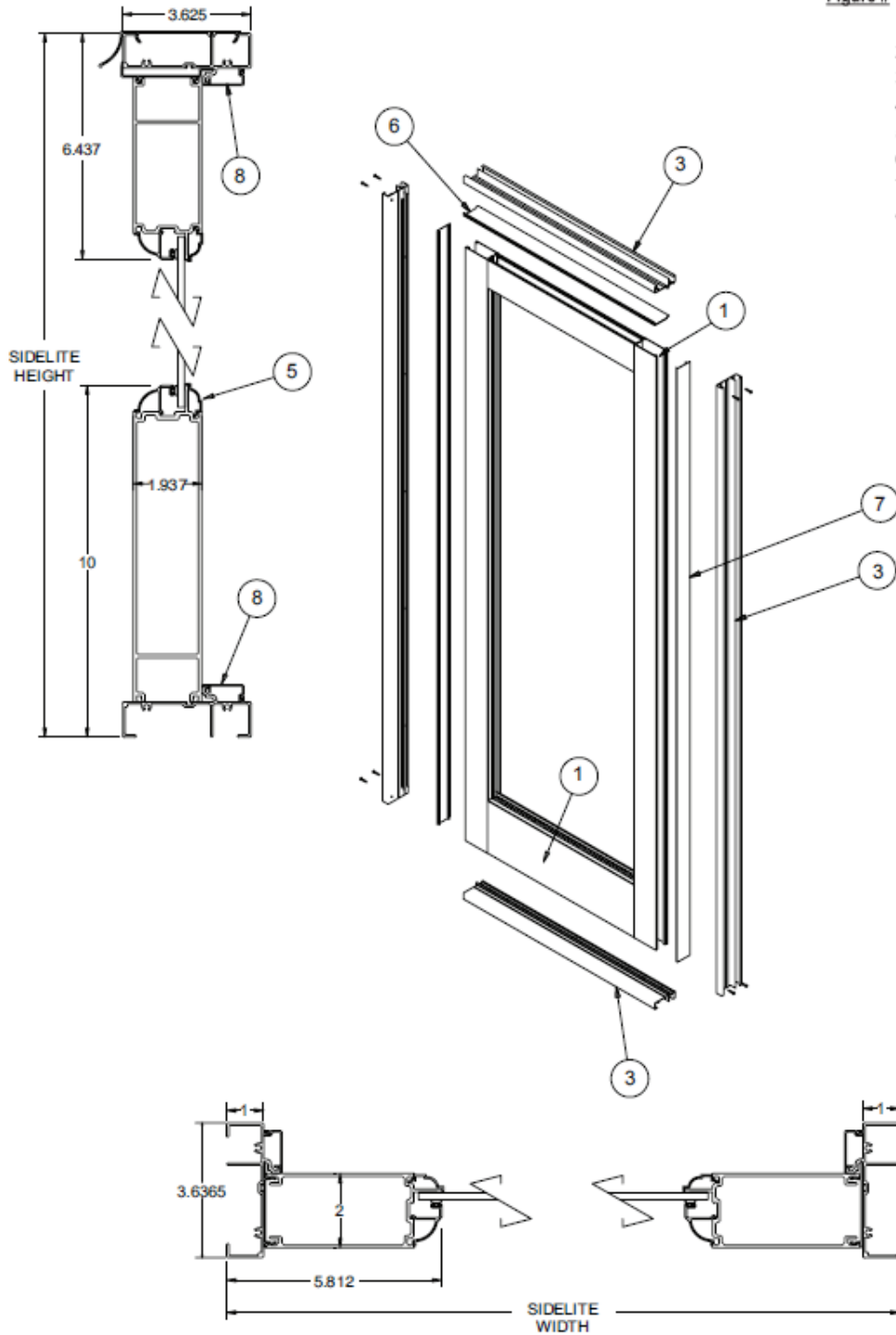
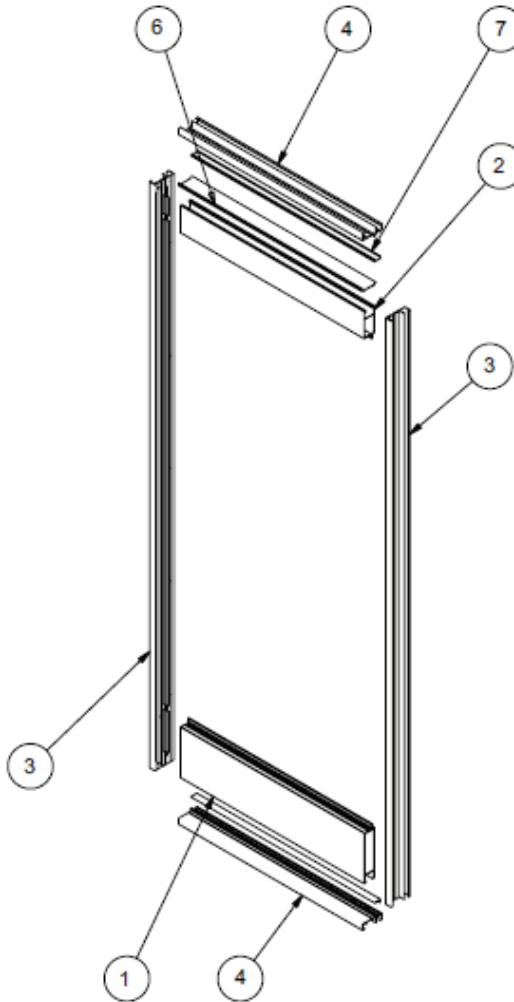
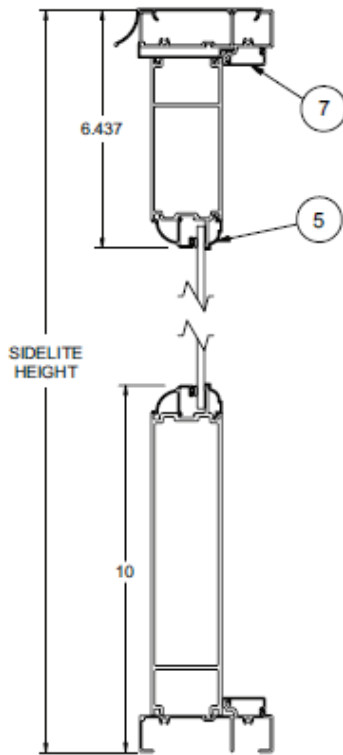


Figure #	Description
1.	Full sidelite bottom rail
2.	Full sidelite stile
3.	Left & right frame jamb
4.	Head and sill
5.	Back bead
6.	Head trim
7.	Jamb trim
8.	Install screw cover

FRENCH DOOR EXPLODED

Narrow Jamb Sidelite Assembly



- | Figure # | Description |
|----------|--------------------------|
| 1. | Narrow bottom rail |
| 2. | Narrow top rail |
| 3. | Narrow left & right jamb |
| 4. | Head and sill |
| 5. | Glazing bead |
| 6. | Head trim |
| 7. | Install screw cover |

